

DIAPHRAGM VALVE, SERIES 22.0

For roughing / backing line isolation and rough metering of gases and liquids.



Easy dosing

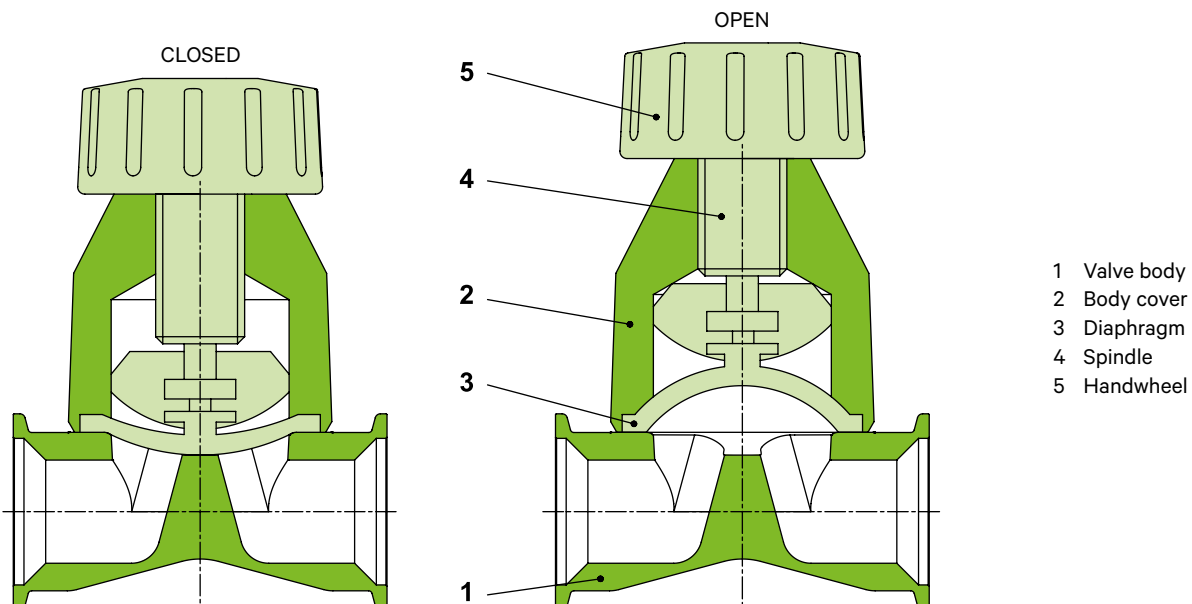
Easy maintenance: fast diaphragm seal replacement

Small footprint and easy system integration

MAIN FEATURES

| | |
|------------------|----------------------------|
| Sizes | DN 16 – 40 mm (5/8" – 1½") |
| Actuator | manual with handwheel |
| Body material | aluminum |
| Standard flanges | ISO-KF |

FUNCTIONAL PRINCIPLE



TECHNICAL DATA

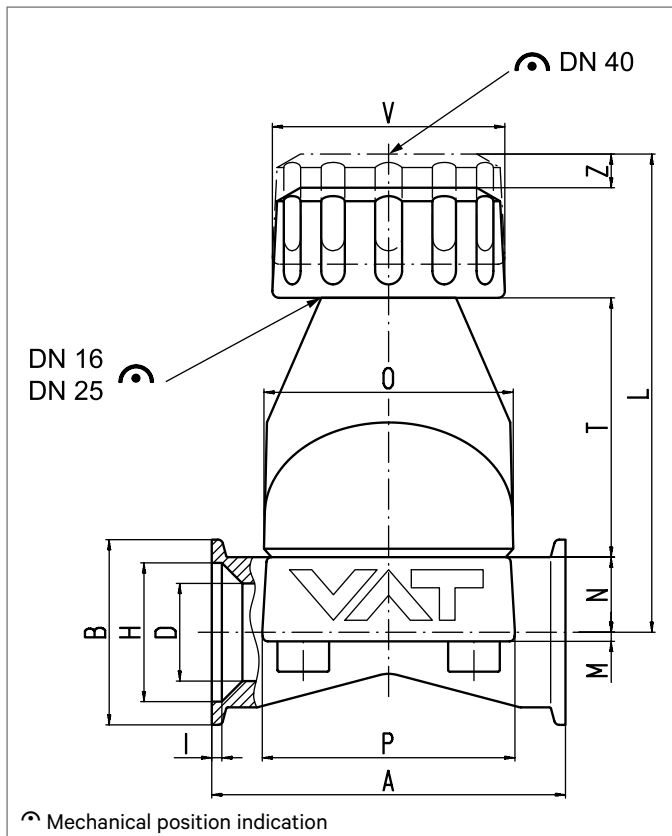
| | | |
|------------------------------|----------------------------|--|
| Leak rate | Valve body, valve seat | $< 1 \cdot 10^{-9}$ mbar ls ⁻¹ |
| Pressure range | | $1 \cdot 10^{-7}$ mbar to 5 bar (abs) |
| Cycles until first service | | 20 000 |
| Temperature | Valve body Actuator | ≤ 100 °C ≤ 50 °C |
| Material | Valve body Actuator | EN AW-6060 (3.3206), EN AW-6061 (3.3211), EN AW-6063 (3.3206), EN AW-6082 (3.2315) plastic (POM) |
| Seal | Diaphragm | FKM (Viton®) |
| Mounting position | | any |
| Valve position indication | | visual (mechanical) |
| Conductance (molecular flow) | DN 16 / DN 25 / DN 40 | 2 ls ⁻¹ / 5 ls ⁻¹ / 17 ls ⁻¹ |
| Turns per stroke | DN 16 / DN 25 / DN 40 | 3.5 / 5 / 6.5 |
| Weight | DN 16 DN 25 DN 40 | 0.16 kg / 0.35 lbs 0.50 kg / 1.10 lbs 1.20 kg / 2.60 lbs |

ORDERING INFORMATION

Valve with manual actuator
handwheel

| DN | | Ordering numbers | |
|----|----------------|------------------|-----------------|
| mm | inch | Valve ISO-F | Spare diaphragm |
| 16 | $\frac{5}{8}$ | 22024-KA01 | 100618-01 |
| 25 | 1 | 22028-KA01 | 100619-01 |
| 40 | $1\frac{1}{2}$ | 22032-KA01 | 100620-01 |

DIMENSIONS



| DN | mm inch | 16 5/8 | 25 1 | 40 1 1/2 |
|----|------------|----------------------------|----------------------------|----------------------------|
| A | mm inch | 52 2.05 | 80 3.15 | 105 4.13 |
| B | mm inch | 30 1.18 | 40 1.57 | 55 2.17 |
| D | mm inch | 15 0.59 | 19 0.75 | 29 1.14 |
| H | mm inch | 17.20 0.68 | 26.20 1.03 | 41.20 1.62 |
| I | mm inch | 3 0.12 | 3 0.12 | 3 0.12 |
| L | mm inch | 66 2.60 | 111 4.37 | 148.50 5.85 |
| M | mm inch | 10 0.39 | 14 0.55 | 22.30 0.88 |
| N | mm inch | □ 32 × 32 □ 1.26 × 1.26 | □ 54 × 54 □ 2.13 × 2.13 | □ 74 × 79 □ 2.91 × 3.11 |
| O | mm inch | 32 × 32 1.26 × 1.26 | 54 × 54 2.13 × 2.13 | 75 × 80 2.95 × 3.15 |
| P | mm inch | 27.50 1.08 | 56 2.20 | 77 3.03 |
| T | mm inch | 30 1.18 | 47.50 1.87 | 69 2.72 |
| V | mm inch | 29.50 1.16 | 47 1.85 | 69.50 2.74 |
| Z | mm inch | 4 0.16 | 10 0.39 | 14 0.55 |