



# AGILENT ION PUMPS

- 2-3 Ion Pumps Features and Benefits
- 4-5 Controllers Features and Benefits
- 6-7 SEM Pump Controller Features and Benefits
- 8-11 Typical Applications
- 12-40 Pump Models and Controllers
- 41-51 Technical Notes
- 52-53 Service and Support Plan



**Agilent Technologies**

# AGILENT ION PUMPS FEATURES AND BENEFITS

## Ion Pump Evolution

- Since the late 1950's, when the ion pump was invented at Varian, now Agilent Technologies, many changes and technical improvements have taken place. Virtually all of the major innovations have come from us, from the first Diode Vaclon pump to the Triode, then to the StarCell series pumps, and the Vaclon *Plus*.



## Vaclon *Plus*

- Vaclon *Plus* is a complete family of ion pumps, controllers, options, and accessories, designed to provide solutions to every application. Parameters such as operating pressure, the gas mixture to be pumped, the starting pressure, etc. can vary so dramatically that Varian, today Agilent, decided to develop dedicated ion pump solutions (including controllers and all other accessories) for different applications.
- The Vaclon *Plus* family includes Diode, Noble Diode, and StarCell pump versions that allow Agilent to provide the best technology for each field of application. The family is complemented by the new 4UHV Ion Pump controllers, that provide different power levels and interface capabilities.

## Titanium Sublimation Combination Pumps (TSP)

- The titanium sublimation creates extra high getterable gas pumping speed while the ion pumping mechanisms handle the non-getterable gases such as argon and methane. The combination pump includes the cylindrical cryopanel and TSP source mounted to the extra port. Customized pump configurations are also available.



### Wide Pumping Speed Range

- Miniature/Appendage pumps from 0.2 to 10 l/s
- Small/Medium pumps from 20 to 75 l/s
- Large size pumps from 150 to 2500 l/s
- Vaclon 150 "Slim Body" version available
- TSP/Combi pumps
- Custom solutions with special pumping speed, size, magnetic field



### Vacuum Processing

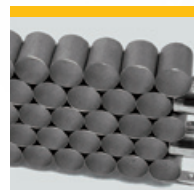
In order to ensure cleanliness, all pumps are:

- Factory processed at high temperature (450°) in ultra-high vacuum for a thorough outgassing of the body and all internal components
- Shipped under vacuum, and an RGA spectrum can be provided with each pump
- HE-Leak check



## Application Specific Solutions

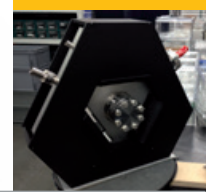
**for SEM:** a complete line of ion getter pumps dedicated to Electron Microscopy.



### Element Cells and Insulators

- Cells' sizes and geometries are optimized in order to:
  - maximize the discharge intensity
  - maximize the pumping speed
- The special design of the ceramic insulators allows:
  - no buildup of sputtered conductive coating
  - longer pump life

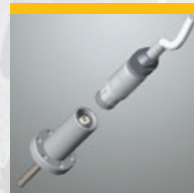
# ION PUMPS



## Custom Design

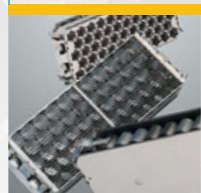
The pump body can be configured to meet optional requirements including:

- Cryopanel and TSP side or bottom mounted
- Integral heaters
- Additional roughing ports



## Feedthroughs

- Eliminate corrosion
- Implement the "High Voltage Cable Interlock"
- Provide an easy connection
- Prevent unintentional extraction
- Minimize overall dimensions



## Pumping Elements

Three different types of pumping elements are available to cover all possible gas mixtures and optimize the application specific performances:

- Diode
- Noble Diode
- Our unique StarCell



## Cables

- Agilent cables have an "HV Safety Interlock" that prevents any chance of electrical shock
- If the cable is disconnected from the pump, the voltage is automatically cut off
- Available in different lengths
- Robust, flexible metal-shielded cable
- $10^7$  Gy radiation tolerance

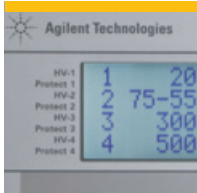


## Heaters

- The pump can be supplied with heaters designed to perform the pump baking
- Minimize operational costs

Ion Pumps

# THE NEW AGILENT 4UHV ION PUMP CONTROLLER FEATURES AND BENEFITS



## Versatility

The 4UHV is available in different configurations, in order to independently power, control and monitor any combination of multiple pumps of different sizes, from one to four pumps, from 10 to 2500 l/s. For each number of pumps to be operated several options are available,  
 200 W for a single pump,  
 2 x 80 W or 2 x 200 W for two pumps,  
 2 x 80 + 200 W for three pumps,  
 4 x 80 W for four pumps.



## Intelligence

To access the unit you can use analog or RS232/485 ports. The controller uses the same protocol as our other intelligent vacuum devices (Navigator turbo pump Controller and Inverter scroll & rotary vane pumps), giving you fast, convenient access to all elements of the vacuum system. Profibus and Ethernet communications available on request, please call Agilent for details.

## More Choice and Flexibility

- The Vaclon *Plus* pump family is complemented by the new 4UHV Ion Pump controller, that provides different power levels and interface capabilities.
- The compact MiniVac controller and a dedicated TSP controller are also available.
- The new series of IPCU controller units completes Agilent's offer (see next pages).
- The existing range of ion pump controllers offers more choice and flexibility than ever before. With the latest in design features, they are simple and easy to operate; just select the right controller to fit your specific application.

## 4UHV - For Ultra High Vacuum

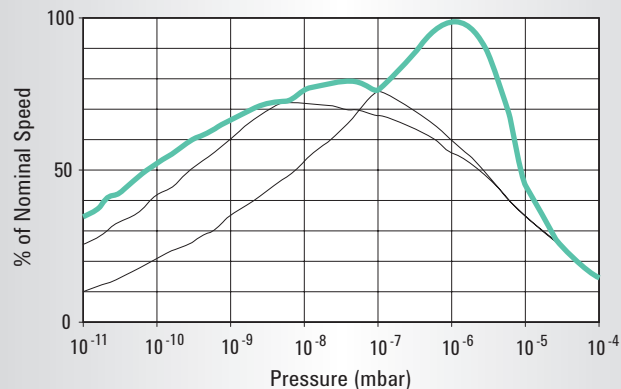
The new state-of-the-art Agilent 4UHV Ion Pump Controller operates up to four pumps simultaneously and independently. The 4UHV starts and controls ion pumps of any type (Diode, Noble Diode, StarCell) and size (from 10 to 2500 l/s). A large four-line LCD display allows simultaneous reading of individual pump voltage, current and pressure. The variable voltage feature ensures optimum pumping speed and pressure reading throughout the operating pressure range. Built-in set points, remote operation and RS232/485 computer interface are standard. Ethernet and Profibus are options.

## Optimized Pumping Speed

The 4UHV will select the right operating voltage to optimize the pumping speed of your ion pumps. By applying High Voltage in accordance with operating pressure, pumping speed performance is improved. This is because the energy with which the ion bombards the cathode is the nominal

applied HV, reduced by the space charge effect due to the electron cloud present in the ion pump cell. Since the space charge effect is pressure related, a variable HV is applied to maintain optimum bombardment energy, resulting in the best possible pumping performance at any pressure.

## Pumping Speed vs Pressure at Different Voltages

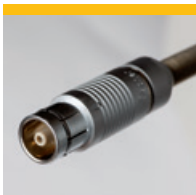


# ION PUMPS



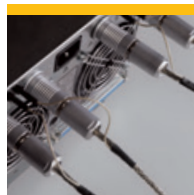
## Low Noise

For SEM applications especially, the remaining AC component of the HV output was reduced to a minimum. It is much lower than in any other existing unit, eliminating the need for additional filters completely in many cases.



## Safety

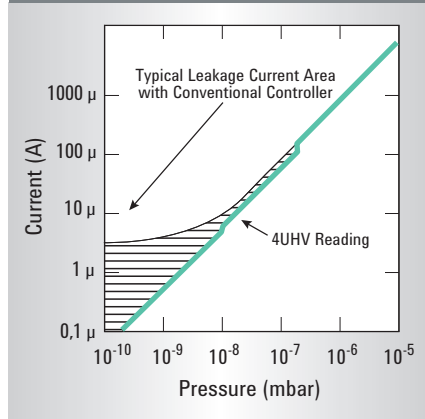
To protect you against high voltage the cable is equipped with an interlock system which immediately shuts down the high voltage when the plug is removed from the pump. The protect mode limits the current to protect the pump and the controller.



## Pressure Reading

The 4UHV is preprogrammed to automatically convert current reading of any Vaclon Plus pump into pressure. Thanks to its ability to detect ion current as low as 10 nA, it allows pressure measurement in the  $10^{-10}$  mbar range. To ensure reliable pressure reading down to the UHV region, the 4UHV optimizes the applied high voltage as a function of pressure. As a result, the leakage current of the ion pump is eliminated, thereby providing more accurate pressure readings.

## Typical Current vs Pressure Curve



# AGILENT SEM ION PUMPS FEATURES AND BENEFITS

## The Agilent Advantage: Dedicated Solutions for SEM Applications

- Agilent is the only manufacturer to offer specially designed SEM ion pumps. These pumps are ideal for the high vacuum guns where stable vacuum and low leakage current is required to control and preserve the charged particle filament.
- The key to this superior performance is Agilent's patented anode design which uses contoured cells and simplified electrical elements. This insures stable current readings and lower particle generation.
- When combining the SEM ion pump on the gun with a StarCell ion pump on the lower column, Agilent ion pumps can offer a powerful combination optimised for modern E-beam columns.

SEM Ion Pumps are available on request; please ask Agilent for technical details.



### Wide, Dedicated Range

- A complete range of SEM ion pumps from 10 to 75 l/s, tailored to your specific vacuum needs
- Small footprint for easier system integration



### Dedicated Heaters

- Dedicated Heater for every pump size
- The new heaters are designed to perform a more effective pump baking
- Lower power and operational costs



### Innovative SEM Anode Geometry

- Better current stability
- Lowest leakage current in the industry (< 10 nA)
- Double Shielded Ceramics
- Longer pump life
- Longer pressure stability
- Maximum uptime



### Very Compact Design

Improved design for:

- Lighter pump weight
- Fast magnets replacement
- Easy maintenance



### IPC3 / IPCU 2 Power Supplies

Two versions: 3 or 2 supply channels

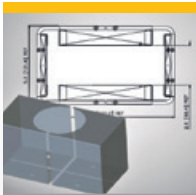
- Special low noise electronics for better SEM imaging
- Battery backup (optional): up to 30 days 24/7 of battery life
- Optional display and front panel

### New 4UHV Controller

- Special low noise electronics for better SEM imaging

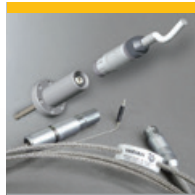


# ION PUMPS



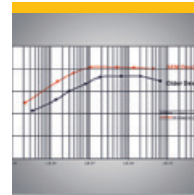
## Dedicated Magnetic Stray Shields

- External magnetic shields for stray magnetic field reduction available individually on request



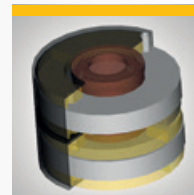
## Agilent Feedthrough and Cables

- The HV Safety Interlock prevents any chance of electrical shock
- The voltage is automatically cut off as soon as the cable is disconnected from the pump
- Safer pump operation



## Higher Pumping Speed

- Optimized magnetic circuit for max. performance in a very compact package
- Faster pump down

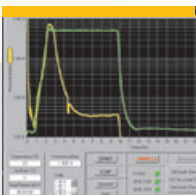


## Available in Round Shape

Integrated ion pump/column allows:

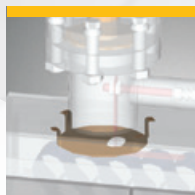
- Optimum mass balancing
- Improved pumping conductance
- Compact and modular design
- Symmetric weight distribution for rugged column integration

Ion Pumps



## RGA Guaranteed Ultimate Vacuum

- The pump is vacuum processed at 450 °C to outgas most of gases out of the pump body
- The pump is shipped under vacuum
- An RGA (Residual Gas Analysis) spectrum is available for each pump, to guarantee its performance and the cleanliness of the manufacturing process



## Optical Baffle

Built-in Optical Baffle (optional) for:

- Minimized particle emission
- Minimum conductance reduction
- Total column protection
- Maximum e-gun life



## Battery Power Supply

- Enables service without breaking vacuum
- Allows for column shipping under vacuum

## TYPICAL APPLICATIONS FOR AGILENT VACION *PLUS* PUMPS



Courtesy: LBNL Advanced Light Source.



Courtesy PSI SLS.

### Research and Development

#### Particle Accelerators & Synchrotron Light Sources

In these machines, electrically charged particles (electrons for the production of synchrotron light or ions for particle accelerators) are forced to follow a curved trajectory in a ring called a storage ring. Charged particles circulate for hours in the storage ring, at constant energy, in an ultra-high vacuum environment.

Before their injection into the storage ring, the particles first have to be accelerated inside an injection system composed of one or two accelerators (the Linac and the Booster). All along their path within the machine, the particles (electrons or ions) have to circulate inside a vacuum chamber. Otherwise, they would collide with the air molecules and would be absorbed very rapidly.

- **Linac**

The linac is a linear accelerator. The charged particles enter into a first RF cavity which accelerates them and at the same time groups them into bunches. They are then accelerated by a succession of RF cavities throughout the length of the linac. Vacuum within the linac can be created by Agilent Vaclon *Plus* pumps from 20 l/s to 70 l/s.

- **Booster**

Charged particles, which have already been accelerated in the linac, are accelerated even more strongly by the booster. The acceleration is produced by RF cavities through which the charged particles pass many times, gaining in energy at each pass. Once the level of maximum energy has been reached, the beam of particles is transferred from the booster to the storage ring. Vacuum in the booster is generally produced by small pumps. Small Agilent Vaclon *Plus* pumps fit this application perfectly.

- **Storage Ring**

Charged particles circulate inside the storage ring at constant energy. All along the ring there are curved sections as well as straight sections. The storage ring is placed inside a tunnel with very thick concrete walls in order to contain emitted radiation in case of beam loss. Ultra high vacuum is an absolute necessity in this part of the machine since the particles travel through the storage ring for hours. The less residual gas there is, the more focused the beam remains. Large Agilent Vaclon *Plus* pumps, in the 300 - 500 l/s range are used for this demanding application.

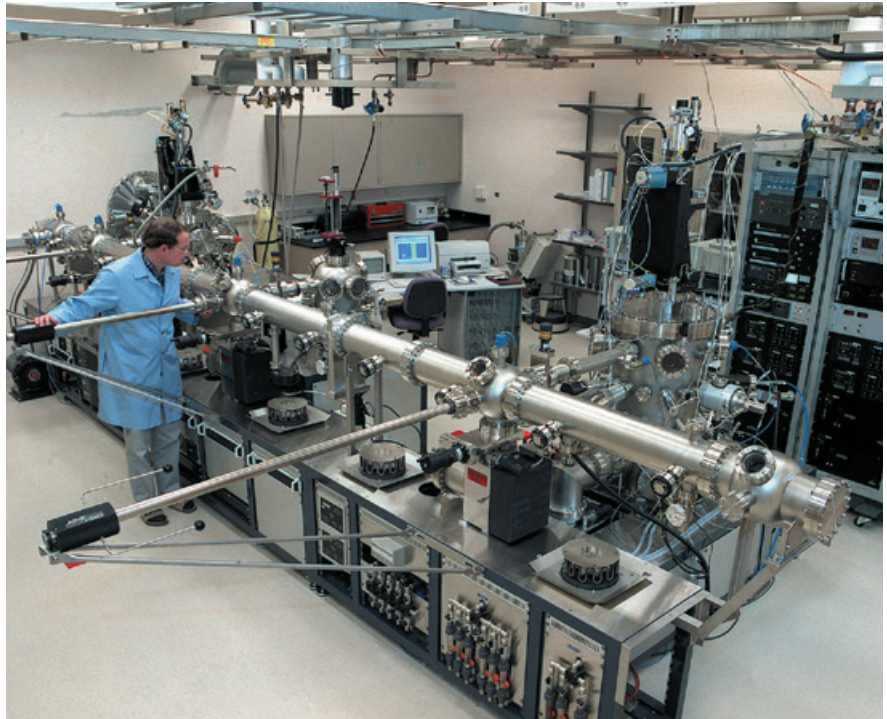
- **Front Ends**

The front end is the pipe work which transports the particles under a vacuum from the extraction zone up to the beamline outside of the tunnel of the ring. There you can find a beam shutter as well as devices allowing the isolation of the vacuum of the ring from that of the beamline, which is often of lower pressure. Agilent large pumps, as in for the storage ring, can be used in this part of the machine.





Courtesy of MedAustron.



Courtesy Pacific Northwest National Laboratory.

- **Beam Lines**

The experimental hall, around the storage ring, houses the beamlines built tangentially to the ring. The beamlines are usually specialized in a field of research (such as biology, polymers, and magnetism) or an experimental method (such as diffraction, EXAFS, and imaging). Some of the longest beamlines are built outside the experimental hall. Generally, large pumps are used in this part, from 300 l/s to 500 l/s. They can be combined with TSP and cryopanel in order to pump even the lightest molecules.

- **Miscellaneous Projects**

Some fundamental research projects that use very sensitive equipment (necessitating ultra-high vacuum with no mechanical vibration) will find the solution in Agilent VacIon *Plus* pumps. The new gravitational waves detectors (GWD) such as VIRGO in Italy and LIGO in the USA use Agilent pumps to produce and maintain the required vacuum.



Courtesy P. Ginter - ESRF Grenoble.



Courtesy P. Ginter - ESRF Grenoble.

# AGILENT ION PUMPS TYPICAL APPLICATIONS

## Mass Spectrometry

- Analytical systems that use focused charged particle beams (CPB) and certain types of mass spectrometers such as magnetic sector or Fournier Transfer often require ultra-high vacuum.
- These applications have very stringent performance requirements for sensitivity, resolution, sample throughput and measurement repeatability. These requirements are driven by the need to analyze ever-smaller samples, especially in semiconductor, manufacturing, and other high-tech applications.
- In general these applications require very clean vacuum pumping, and only Vaclon pumps can certify the required level of cleanliness because Agilent is the only ion pump manufacturer that bakes each pump in a vacuum furnace, and supply each pump with an RGA scan.
- Agilent offers a full range of pumps, from 0.2 l/s up to 2500 l/s, as well as combination and custom pumps so analytical system designers can meet all their vacuum requirements from one supplier.
- Over 50 years of ion pump experience makes Agilent uniquely qualified to supply customized solutions for special applications.

## Nanotechnologies

- Agilent's line of high performance Vaclon ion pumps are well suited for the vacuum requirements of Transmission Electron Microscopes (TEM), Scanning Electron Microscopes (SEM), Focused Ion Beam (FIB) and Surface Analysis equipments.
- **Agilent is the only manufacturer to offer SEM application-specific ion pumps with unique anode design**
- The Diode SEM pump with its extremely low leakage current is ideal for the gun section of the column.
- The StarCell pump element with its unique design is the ideal solution for the high pressure operation of the columns. StarCell is also the best pump for noble gases or hydrogen.
- Agilent completes its offering to the microscope manufacture with a full line of controller/power supplies including the low cost power supplies and the full feature, multiple controllers.
- With the addition of Agilent complete line of oil-free, low vibration turbo pumps - ideal for sample chamber vacuum requirements – roughing pumps and vacuum gauges, Agilent can supply all the vacuum components required for electron microscopes.



## Industrial Vacuum Processes

Different applications in industrial sectors such as telecommunication, defense, medical and others make use of Vaclon pumps to process and maintain essential components under vacuum. Most of the core equipment in these sectors requires the use of different electron devices including:

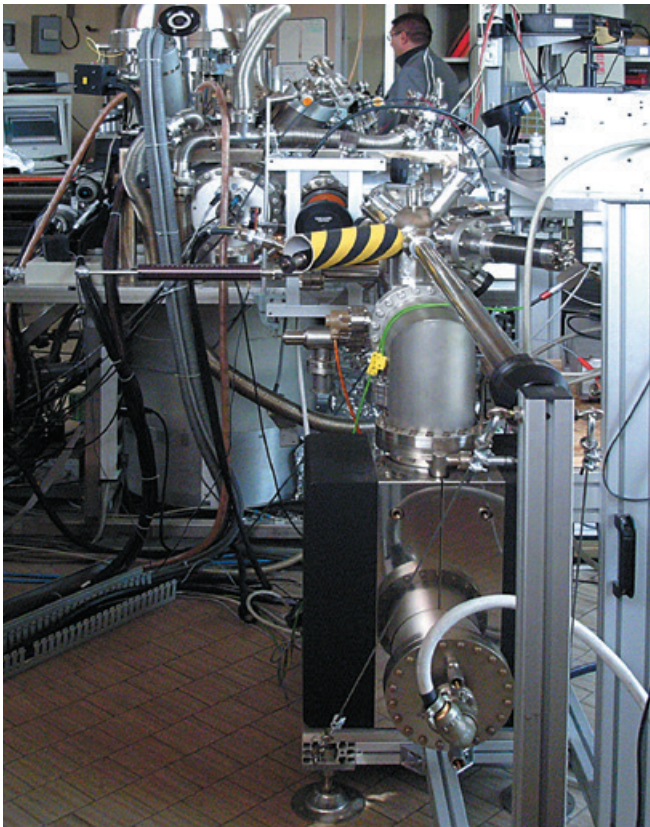
- **Microwave tubes and devices**
- **Power grid tubes**
- **X-ray imaging tubes and devices**
- **X-ray sources**

In the processing cycle of these types of electron devices, small ion pumps from 10 l/s to 50 l/s are being used. Special tube sizes or special applications may require even bigger ion pumps up to 300-500 l/s. Vaclon pumps are often being used in combination with Turbo Molecular Pumps, backing pumps and other components out of the wide range of Agilent products.

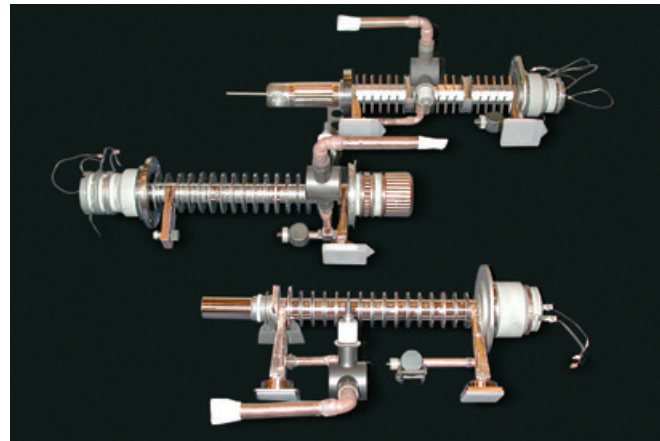
After processing, frequently these electron devices are being equipped with so-called appendage ion pumps in the range of 0.2 l/s to 10 l/s for the purpose of maintaining the electron tube under vacuum for its operational lifetime.

The first ion pump was invented in the late 1950's, for the production of high-quality vacuum tubes used in radar technology. From this point on, Vaclon pumps set the pace in





Courtesy University of Modena.



Courtesy CPI.

the industrial field for a wide range of applications using vacuum processed electron devices used worldwide in:

- **Space**

Electron devices are essential to various space programs, from satellite services and earth observation satellites to space probes. Microwave tubes and devices are vital tools, which link people and satellites in order to enable global communications. Spaceborne tubes are the power generators for the transponders carried on satellites. They retransmit TV or telecommunication signals back to the ground. The electron tubes used for this application are Travelling Wave Tubes. In these tubes, amplification is produced under vacuum by the interaction between a beam of electrons and the Radio-Frequency (RF) wave.

- **Telecommunications**

Microwave tubes, devices like Traveling Wave Tubes (TWTs) and Klystrons (powerful radio vacuum tubes) are widely used in civil and military telecommunication networks and equipment used for:

- Satellite and terrestrial communication
- High data-rate transmissions for High Speed Internet and Wireless Cable
- Broadband high speed data
- Point-to-point and point-to-multipoint microwave links.

- **Broadcast**

Radio and TV broadcasters and transmitter manufacturers use electron devices in their equipment to enable high power transmission or digital broadcasting. Power grid tubes or microwave tubes are being used in AM radio, FM radio, VHF TV, UHF TV or digital TV transmitters and amplifiers.

- **Medical**

Radiological equipment manufacturers use electron devices for critical components in the radiological chain, such as X-ray image intensifiers and radiological imaging units for diagnostics, as well as medical linear accelerators for radiation therapy. Typical fields of application include:

- Medical Imaging (X-ray image tubes and devices)
- Radiation Therapy (high power Klystrons, LINAC)
- Magnetic Resonance Imaging.

- **Defense**

Microwave tubes and devices are key components in equipment and systems used for different defense applications:

- Radar (ground based or airborne)
- Electronic Countermeasures (ECM)
- Smart Weapons & Electronic Warfare
- Missile guidance & Missile seekers

- **Industrial and Others**

Several industrial processes make use of RF & Microwave tubes. Some examples are heat treating, Plastic welding, Food processing, Textile manufacturing, Film curing & drying. Other applications make use of X-ray tubes for non-destructive testing methods.

## AGILENT ION PUMP MODELS

|   | Miniature Pump                            | 2 l/s Pump                                | 10 l/s Pump             | Vaclon Plus 20                 |                   |                   |
|---|---|---|-------------------------|--------------------------------|-------------------|-------------------|
| Inlet flange  |   |   |                         | 2 ¼" OD CFF (NW 35)            |                   |                   |
| Element type  | Diode                                     | Diode                                     | Diode                   | Star Cell                      | Noble Diode       | Diode             |
| Pumping speed (l/s)<br>(saturated pump at 1 <sup>-6</sup> mbar)<br>Nitrogen | 0.2                                       | 2   | 10                      | 20                             | 22                | 27                |
| Operating life (hours) (at 1 <sup>-6</sup> mbar)                            | N/A                                       | 8,000                                     | 40,000                  | 80,000                         | 50,000            | 50,000            |
| Maximum starting pressure (mbar)  | 1 x 10 <sup>-4</sup>                      | 1 x 10 <sup>-4</sup>                      | ≤ 1 x 10 <sup>-4</sup>  | <10 <sup>-2</sup>              | <10 <sup>-3</sup> | <10 <sup>-3</sup> |
| Maximum baking temperature (°C)   | 400 (without magnet)<br>150 (with magnet) | 400 (without magnet)<br>150 (with magnet) | 350                     | 350                            | 350               | 350               |
| Weight kg (lbs)   | Net 0.3 (0.66)<br>Shipping 0.6 (1.33)     | Net 0.3 (0.66)<br>Shipping 0.6 (1.33)     | Without magnet<br>4 (9) | Net 7 (15)<br>Shipping 11 (24) |                   |                   |
| SEM version available on request  | -   | -   | +                       | +                              |                   |                   |



# ION PUMPS

|   | Vaclon Plus 40                  |                   |                   | Vaclon Plus 55                  |                   |                   | Vaclon Plus 75                  |                   |                   | Vaclon Plus 150*                 |                   |                   | Vaclon Plus 300                   |                   |                   | Vaclon Plus 500                     |                   |                   |
|---|---------------------------------|-------------------|-------------------|---------------------------------|-------------------|-------------------|---------------------------------|-------------------|-------------------|----------------------------------|-------------------|-------------------|-----------------------------------|-------------------|-------------------|-------------------------------------|-------------------|-------------------|
|   | 2 ¾" OD CFF (NW 35)             |                   |                   | 4 ½" OD CFF (NW 63)             |                   |                   | 6" OD CFF (NW 100)              |                   |                   | 6" OD CFF (NW 100)               |                   |                   | 8" OD CFF (NW 150)                |                   |                   | 8" OD CFF (NW 150)                  |                   |                   |
|   | Star Cell                       | Noble Diode       | Diode             | Star Cell                       | Noble Diode       | Diode             | Star Cell                       | Noble Diode       | Diode             | Star Cell                        | Noble Diode       | Diode             | Star Cell                         | Noble Diode       | Diode             | Star Cell                           | Noble Diode       | Diode             |
|   | 34                              | 36                | 40                | 50                              | 53                | 55                | 65                              | 68                | 75                | 125                              | 135               | 150               | 240                               | 260               | 300               | 410                                 | 440               | 500               |
| 0 | 80,000                          | 50,000            | 50,000            | 80,000                          | 50,000            | 50,000            | 80,000                          | 50,000            | 50,000            | 80,000                           | 50,000            | 50,000            | 80,000                            | 50,000            | 50,000            | 80,000                              | 50,000            | 50,000            |
| 3 | <10 <sup>-2</sup>               | <10 <sup>-3</sup> | <10 <sup>-3</sup> | <10 <sup>-2</sup>               | <10 <sup>-3</sup> | <10 <sup>-3</sup> | <10 <sup>-2</sup>               | <10 <sup>-3</sup> | <10 <sup>-3</sup> | <10 <sup>-2</sup>                | <10 <sup>-3</sup> | <10 <sup>-3</sup> | <10 <sup>-2</sup>                 | <10 <sup>-3</sup> | <10 <sup>-3</sup> | <10 <sup>-2</sup>                   | <10 <sup>-3</sup> | <10 <sup>-3</sup> |
|   | 350                             | 350               | 350               | 350                             | 350               | 350               | 350                             | 350               | 350               | 350                              | 350               | 350               | 350                               | 350               | 350               | 350                                 | 350               | 350               |
|   | Net 17 (37)<br>Shipping 21 (46) |                   |                   | Net 18 (39)<br>Shipping 22 (48) |                   |                   | Net 19 (42)<br>Shipping 23 (51) |                   |                   | Net 43 (94)<br>Shipping 53 (110) |                   |                   | Net 69 (149)<br>Shipping 84 (185) |                   |                   | Net 120 (264)<br>Shipping 135 (297) |                   |                   |
|   | +                               |                   |                   | +                               |                   |                   | +                               |                   |                   | -                                |                   |                   | -                                 |                   |                   | -                                   |                   |                   |

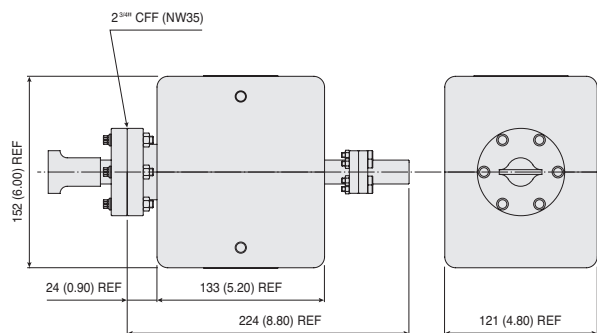
\*150 "Slim Body" available



Ion Pumps

# AGILENT ION PUMP MODELS

## ▶ Agilent Vaclon Plus 20



Dimensions: millimeters (inches)

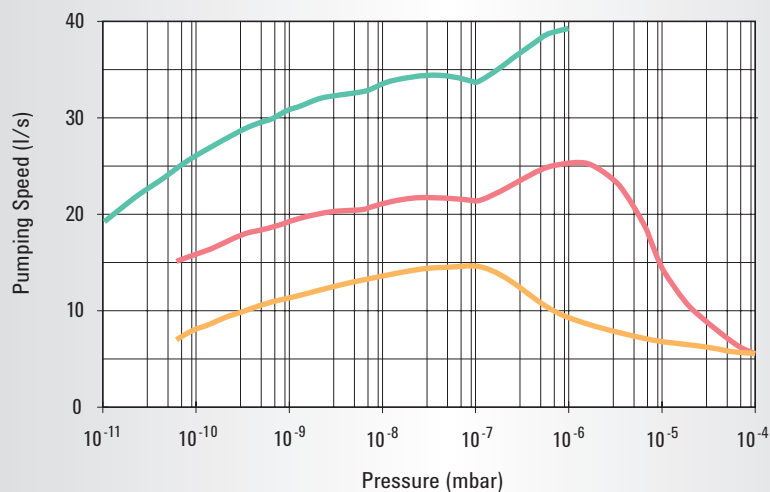
### Technical Specifications

|   | StarCell                            | Noble Diode             | Diode                   |
|---|-------------------------------------|-------------------------|-------------------------|
| Nominal pumping speed for Nitrogen (*) (l/s)      | 20                                  | 22                      | 27                      |
| Operating life at $1 \times 10^{-6}$ mbar (hours) | 80,000                              | 50,000                  | 50,000                  |
| Maximum starting pressure (mbar)                  | $\leq 5 \times 10^{-2}$             | $\leq 1 \times 10^{-3}$ | $\leq 1 \times 10^{-3}$ |
| Ultimate pressure                                 | Below $10^{-11}$                    |                         |                         |
| Inlet flange                                      | 2 3/4" CFF (NW 35) AISI 304 ESR SST |                         |                         |
| Maximum baking temperature (°C)                   | 350                                 |                         |                         |
| Weight, kg (lbs) (with ferrite magnet)            | Net 7 (15), Shipping 11 (24)        |                         |                         |

(\*) Tested according to ISO/DIS 3556-1-1992

SEM version available on request  
 Customized design available on request

Vaclon Plus 20 - Pumping Speed vs Pressure



— Nitrogen unsaturated Diode      — Nitrogen saturated Diode      — Argon saturated StarCell

## Ordering Information

| Description                                      | Part Number |
|--|-------------|
| <b>Pumps</b>                                     |             |
| Diode with Ferrite magnets                       | 9191115     |
| Diode without magnets                            | 9191114     |
| StarCell with Ferrite magnets                    | 9191145     |
| StarCell with Sm-Co magnets                      | 9191146     |
| StarCell without magnets                         | 9191144     |
| <i>Noble Diode versions available on request</i> |             |
| <b>4UHV Controller</b>                           |             |
| 200 W neg  | 9299010     |
| 200 W pos  | 9299011     |
| 2 x 80 W neg                                     | 9299200     |
| 2 x 80 W pos                                     | 9299201     |
| 2 x 200 W neg                                    | 9299020     |
| 2 x 200 W pos                                    | 9299021     |
| 1 x 200 W pos & 1 x 200 W neg                    | 9299022     |
| 4 x 80 W neg                                     | 9299400     |
| 4 x 80 W pos                                     | 9299401     |
| 2 x 80 W pos & 2 x 80 W neg                      | 9299402     |
| 2 x 80 W neg & 1 x 200 W neg                     | 9299210     |
| 2 x 80 W pos & 1 x 200 W pos                     | 9299211     |
| 2 x 80 W pos & 1 x 200 W neg                     | 9299212     |
| 2 x 80 W neg & 1 x 200 W pos                     | 9299213     |

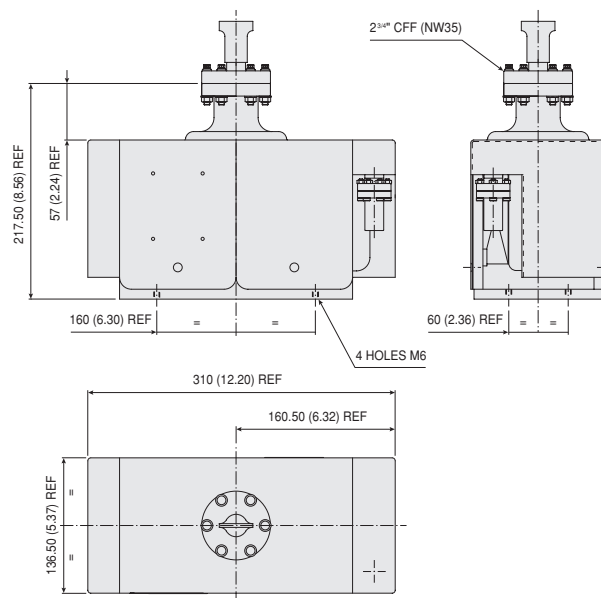
| Description  | Part Number |
|--|-------------|
| <b>HV Cables</b>   |             |
| HV Bakeable cable, radiation resistant, 4 m (13 ft.) long, with interlock  | 9290705     |
| HV Bakeable cable, radiation resistant, 7 m (23 ft.) long, with interlock  | 9290707     |
| HV Bakeable cable, radiation resistant, 10 m (33 ft.) long, with interlock | 9290708     |
| HV Bakeable cable, radiation resistant, 20 m (66 ft.) long, with interlock | 9290709     |
| <b>Replacement Parts</b>   |             |
| HV Feedthrough with interlock  | 9595125     |
| Vaclon Plus 20 Diode Ferrite magnet assembly                               | 9191001     |
| Vaclon Plus 20 Noble Diode Ferrite magnet assembly                         | 9191002     |
| Vaclon Plus 20 StarCell Ferrite magnet assembly                            | 9191004     |
| Heaters* (Input Power 140 W) 120 V   | 9191110     |
| Heaters* (Input Power 140 W) 220 V   | 9191111     |

\* To order heaters for replacement or upgrading of existing pumps, please contact your local Agilent Vacuum Technologies representative.

|                                   |          |
|-----------------------------------|----------|
| Diode, Noble Diode                | positive |
| StarCell, Triode<br>(see page 42) | negative |

# AGILENT ION PUMP MODELS

## ▶ Agilent VacIon Plus 40



Dimensions: millimeters (inches)

### Technical Specifications

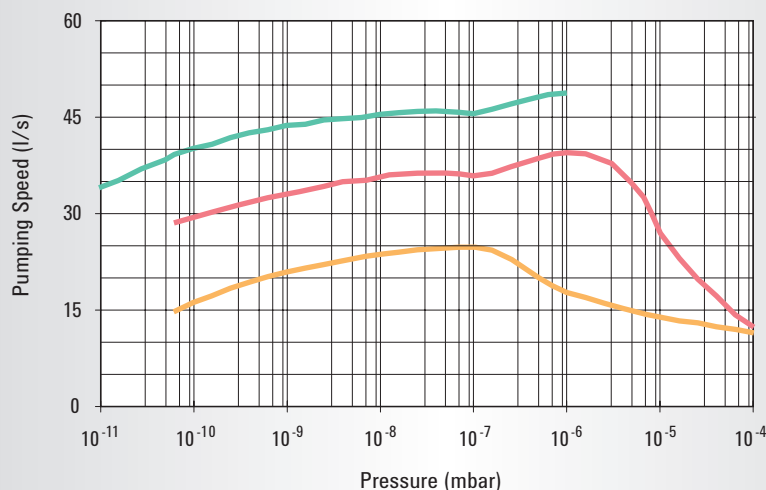
|   | StarCell                            | Noble Diode             | Diode                   |
|---|-------------------------------------|-------------------------|-------------------------|
| Nominal pumping speed for Nitrogen (*) (l/s)      | 34                                  | 36                      | 40                      |
| Operating life at $1 \times 10^{-6}$ mbar (hours) | 80,000                              | 50,000                  | 50,000                  |
| Maximum starting pressure (mbar)                  | $\leq 5 \times 10^{-2}$             | $\leq 1 \times 10^{-3}$ | $\leq 1 \times 10^{-3}$ |
| Ultimate pressure                                 | Below $10^{-11}$                    |                         |                         |
| Inlet flange                                      | 2 3/4" CFF (NW 35) AISI 304 ESR SST |                         |                         |
| Maximum baking temperature (°C)                   | 350                                 |                         |                         |
| Weight, kg (lbs)                                  | 17 (37)                             |                         |                         |

(\*) Tested according to ISO/DIS 3556-1-1992

SEM version available on request  
Customized design available on request



Vaclon Plus 40 - Pumping Speed vs Pressure



— Nitrogen unsaturated Diode      — Nitrogen saturated Diode      — Argon saturated StarCell

## Ordering Information

| Description                                      | Part Number |
|--|-------------|
| <b>Pumps</b>                                     |             |
| Diode  | 9191210     |
| Diode with additional 2 3/4" CFF port            | 9191213     |
| Diode without magnets                            | 9191214     |
| StarCell   | 9191240     |
| StarCell with additional 2 3/4" CFF port         | 9191243     |
| StarCell without magnets                         | 9191244     |
| <i>Noble Diode versions available on request</i> |             |
| <b>4UHV Controller</b>                           |             |
| 200 W neg  | 9299010     |
| 200 W pos  | 9299011     |
| 2 x 80 W neg                                     | 9299200     |
| 2 x 80 W pos                                     | 9299201     |
| 2 x 200 W neg                                    | 9299020     |
| 2 x 200 W pos                                    | 9299021     |
| 1 x 200 W pos & 1 x 200 W neg                    | 9299022     |
| 4 x 80 W neg                                     | 9299400     |
| 4 x 80 W pos                                     | 9299401     |
| 2 x 80 W pos & 2 x 80 W neg                      | 9299402     |
| 2 x 80 W neg & 1 x 200 W neg                     | 9299210     |
| 2 x 80 W pos & 1 x 200 W pos                     | 9299211     |
| 2 x 80 W pos & 1 x 200 W neg                     | 9299212     |
| 2 x 80 W neg & 1 x 200 W pos                     | 9299213     |

| Description  | Part Number |
|--|-------------|
| <b>HV Cables</b>   |             |
| HV Bakeable cable, radiation resistant, 4 m (13 ft.) long, with interlock  | 9290705     |
| HV Bakeable cable, radiation resistant, 7 m (23 ft.) long, with interlock  | 9290707     |
| HV Bakeable cable, radiation resistant, 10 m (33 ft.) long, with interlock | 9290708     |
| HV Bakeable cable, radiation resistant, 20 m (66 ft.) long, with interlock | 9290709     |
| <b>Replacement Parts</b>   |             |
| HV Feedthrough with interlock  | 9595125     |
| Heaters*/** (Input Power 250 W) 120 V                                      | 9190071     |
| Heaters*/** (Input Power 250 W) 220 V                                      | 9190070     |

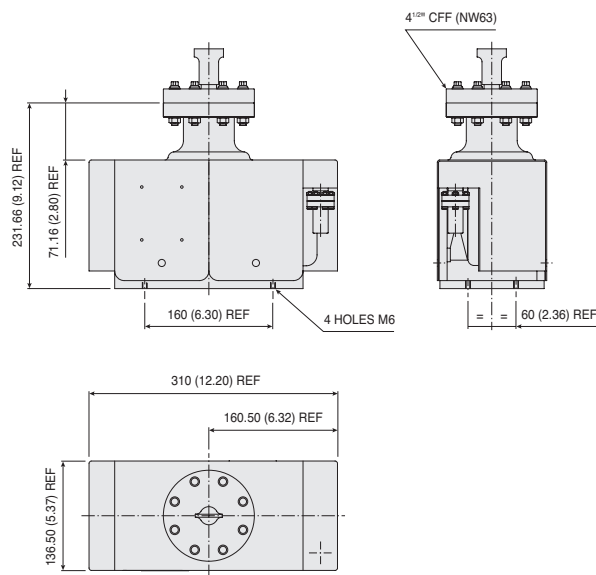
\* To order heaters for replacement or upgrading of existing pumps, please contact your local Agilent Vacuum Technologies representative.

\*\* cCSAus marked version available on request.

|                    |          |
|--------------------|----------|
| Diode, Noble Diode | positive |
| StarCell, Triode   | negative |
| (see page 42)      |          |

# AGILENT ION PUMP MODELS

## ▶ Agilent Vaclon Plus 55



Dimensions: millimeters (inches)

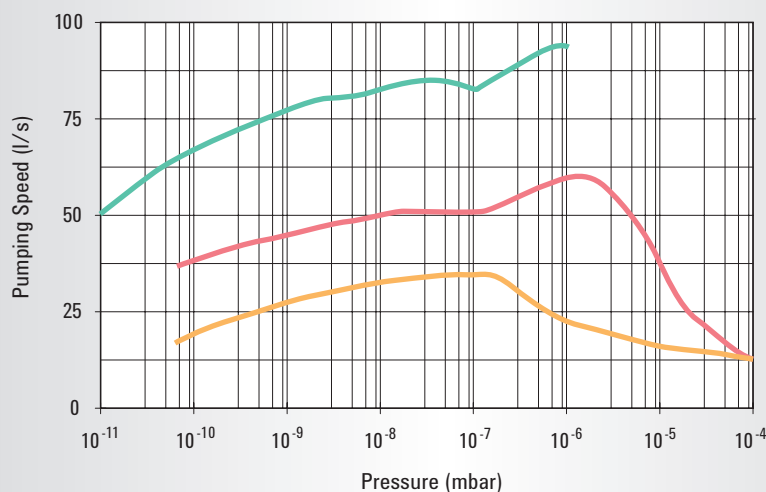
### Technical Specifications

|   | StarCell                            | Noble Diode             | Diode                   |
|---|-------------------------------------|-------------------------|-------------------------|
| Nominal pumping speed for Nitrogen (*) (l/s)      | 50                                  | 53                      | 55                      |
| Operating life at $1 \times 10^{-6}$ mbar (hours) | 80,000                              | 50,000                  | 50,000                  |
| Maximum starting pressure (mbar)                  | $\leq 5 \times 10^{-2}$             | $\leq 1 \times 10^{-3}$ | $\leq 1 \times 10^{-3}$ |
| Ultimate pressure                                 | Below $10^{-11}$                    |                         |                         |
| Inlet flange                                      | 4 3/4" CFF (NW 63) AISI 304 ESR SST |                         |                         |
| Maximum baking temperature (°C)                   | 350                                 |                         |                         |
| Weight, kg (lbs)                                  | 18 (39)                             |                         |                         |

(\*) Tested according to ISO/DIS 3556-1-1992

SEM version available on request  
 Customized design available on request

Vaclon Plus 55 - Pumping Speed vs Pressure



— Nitrogen unsaturated Diode      — Nitrogen saturated Diode      — Argon saturated StarCell

## Ordering Information

| Description                                      | Part Number |
|--|-------------|
| <b>Pumps</b>                                     |             |
| Diode  | 9191310     |
| Diode with additional 2 3/4" CFF port            | 9191313     |
| Diode without magnets                            | 9191314     |
| StarCell   | 9191340     |
| StarCell with additional 2 3/4" CFF port         | 9191343     |
| StarCell without magnets                         | 9191344     |
| <i>Noble Diode versions available on request</i> |             |
| <b>4UHV Controller</b>                           |             |
| 200 W neg  | 9299010     |
| 200 W pos  | 9299011     |
| 2 x 80 W neg                                     | 9299200     |
| 2 x 80 W pos                                     | 9299201     |
| 2 x 200 W neg                                    | 9299020     |
| 2 x 200 W pos                                    | 9299021     |
| 1 x 200 W pos & 1 x 200 W neg                    | 9299022     |
| 4 x 80 W neg                                     | 9299400     |
| 4 x 80 W pos                                     | 9299401     |
| 2 x 80 W pos & 2 x 80 W neg                      | 9299402     |
| 2 x 80 W neg & 1 x 200 W neg                     | 9299210     |
| 2 x 80 W pos & 1 x 200 W pos                     | 9299211     |
| 2 x 80 W pos & 1 x 200 W neg                     | 9299212     |
| 2 x 80 W neg & 1 x 200 W pos                     | 9299213     |

| Description  | Part Number |
|--|-------------|
| <b>HV Cables</b>   |             |
| HV Bakeable cable, radiation resistant, 4 m (13 ft.) long, with interlock  | 9290705     |
| HV Bakeable cable, radiation resistant, 7 m (23 ft.) long, with interlock  | 9290707     |
| HV Bakeable cable, radiation resistant, 10 m (33 ft.) long, with interlock | 9290708     |
| HV Bakeable cable, radiation resistant, 20 m (66 ft.) long, with interlock | 9290709     |
| <b>Replacement Parts</b>   |             |
| HV Feedthrough with interlock  | 9595125     |
| Heaters*/** (Input Power 250 W) 120 V                                      | 9190071     |
| Heaters*/** (Input Power 250 W) 220 V                                      | 9190070     |

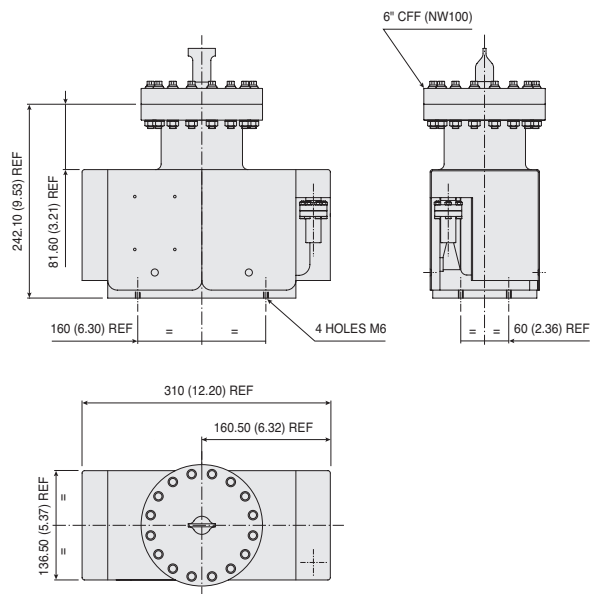
\* To order heaters for replacement or upgrading of existing pumps, please contact your local Agilent Vacuum Technologies representative.

\*\* cCSAus marked version available on request.

|                    |          |
|--------------------|----------|
| Diode, Noble Diode | positive |
| StarCell, Triode   | negative |
| (see page 42)      |          |

# AGILENT ION PUMP MODELS

## ▶ Agilent Vaclon Plus 75



Dimensions: millimeters (inches)

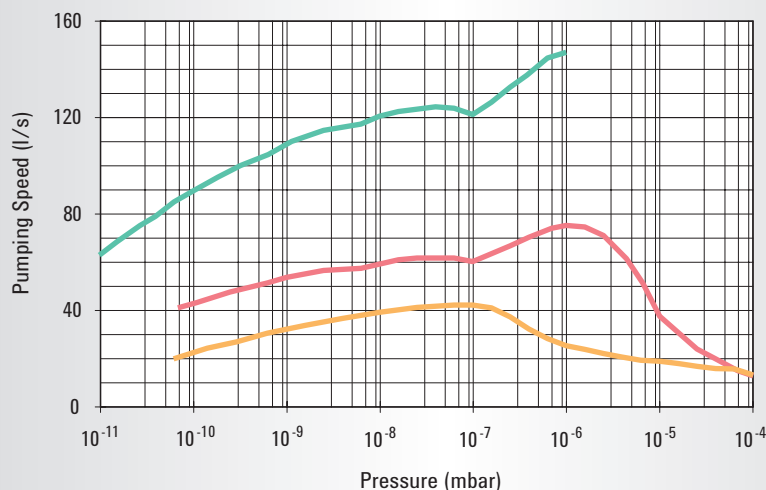
### Technical Specifications

|   | StarCell                         | Noble Diode             | Diode                   |
|---|----------------------------------|-------------------------|-------------------------|
| Nominal pumping speed for Nitrogen (*) (l/s)      | 65                               | 68                      | 75                      |
| Operating life at $1 \times 10^{-6}$ mbar (hours) | 80,000                           | 50,000                  | 50,000                  |
| Maximum starting pressure (mbar)                  | $\leq 5 \times 10^{-2}$          | $\leq 1 \times 10^{-3}$ | $\leq 1 \times 10^{-3}$ |
| Ultimate pressure                                 | Below $10^{-11}$                 |                         |                         |
| Inlet flange                                      | 6" CFF (NW 100) AISI 304 ESR SST |                         |                         |
| Maximum baking temperature (°C)                   | 350                              |                         |                         |
| Weight, kg (lbs)                                  | 19 (42)                          |                         |                         |

(\*) Tested according to ISO/DIS 3556-1-1992

SEM version available on request  
 Customized design available on request

Vaclon Plus 75 - Pumping Speed vs Pressure



— Nitrogen unsaturated Diode      — Nitrogen saturated Diode      — Argon saturated StarCell

## Ordering Information

| Description                              | Part Number |
|--|-------------|
| <b>Pumps</b>                             |             |
| Diode                                    | 9191410     |
| Diode with additional 2 3/4" CFF port    | 9191413     |
| Diode without magnets                    | 9191414     |
| StarCell                                 | 9191440     |
| StarCell with additional 2 3/4" CFF port | 9191443     |
| StarCell without magnets                 | 9191444     |

*Noble Diode versions available on request*

| <b>4UHV Controller</b>        |         |
|-------------------------------|---------|
| 200 W neg                     | 9299010 |
| 200 W pos                     | 9299011 |
| 2 x 80 W neg                  | 9299200 |
| 2 x 80 W pos                  | 9299201 |
| 2 x 200 W neg                 | 9299020 |
| 2 x 200 W pos                 | 9299021 |
| 1 x 200 W pos & 1 x 200 W neg | 9299022 |
| 4 x 80 W neg                  | 9299400 |
| 4 x 80 W pos                  | 9299401 |
| 2 x 80 W pos & 2 x 80 W neg   | 9299402 |
| 2 x 80 W neg & 1 x 200 W neg  | 9299210 |
| 2 x 80 W pos & 1 x 200 W pos  | 9299211 |
| 2 x 80 W pos & 1 x 200 W neg  | 9299212 |
| 2 x 80 W neg & 1 x 200 W pos  | 9299213 |

| Description  | Part Number |
|--|-------------|
| <b>HV Cables</b>   |             |
| HV Bakeable cable, radiation resistant, 4 m (13 ft.) long, with interlock  | 9290705     |
| HV Bakeable cable, radiation resistant, 7 m (23 ft.) long, with interlock  | 9290707     |
| HV Bakeable cable, radiation resistant, 10 m (33 ft.) long, with interlock | 9290708     |
| HV Bakeable cable, radiation resistant, 20 m (66 ft.) long, with interlock | 9290709     |

| <b>Replacement Parts</b>              |         |
|---------------------------------------|---------|
| HV Feedthrough with interlock         | 9595125 |
| Heaters*/** (Input Power 250 W) 120 V | 9190071 |
| Heaters*/** (Input Power 250 W) 220 V | 9190070 |

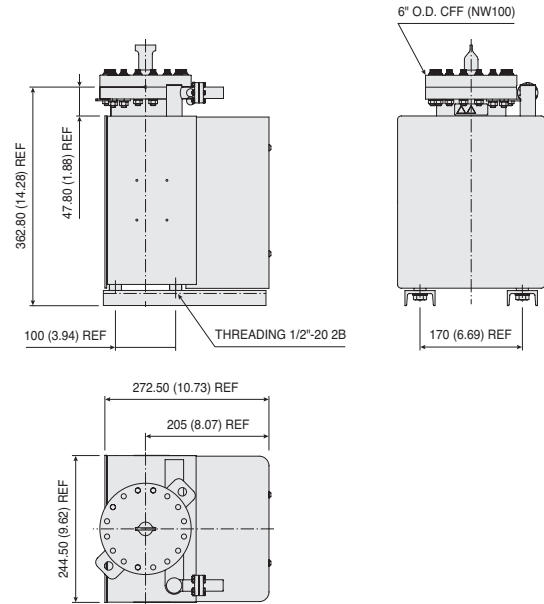
\* To order heaters for replacement or upgrading of existing pumps, please contact your local Agilent Vacuum Technologies representative.

\*\* cCSAus marked version available on request.

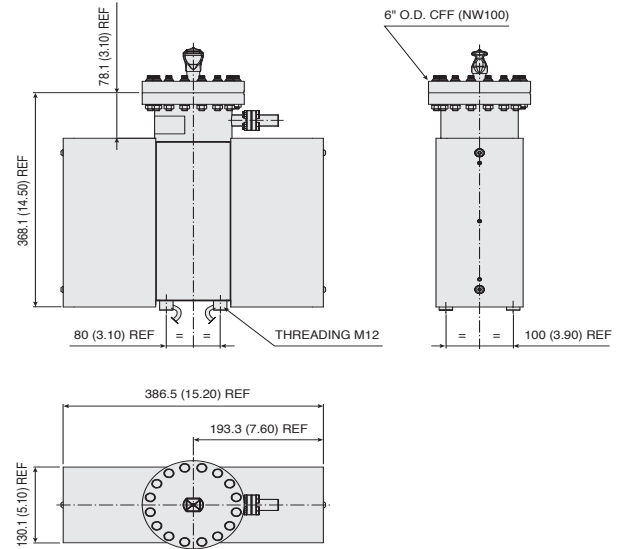
|                    |          |
|--------------------|----------|
| Diode, Noble Diode | positive |
| StarCell, Triode   | negative |
| (see page 42)      |          |

# AGILENT ION PUMP MODELS

## ▶ Agilent Vaclon Plus 150



Vaclon Plus 150 l/s SLIM BODY version available



### Technical Specifications

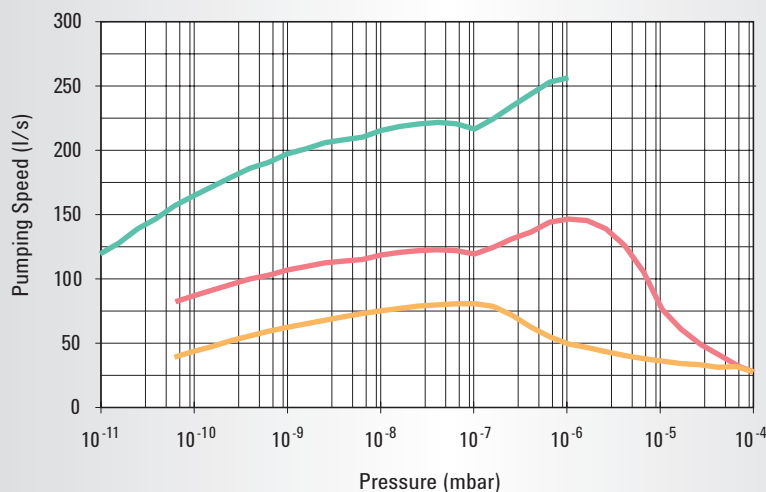
Dimensions: millimeters (inches)

|   | StarCell                     | Noble Diode             | Diode                   |
|---|------------------------------|-------------------------|-------------------------|
| Nominal pumping speed for Nitrogen (*) (l/s)      | 125                          | 135                     | 150                     |
| Operating life at $1 \times 10^{-6}$ mbar (hours) | 80,000                       | 50,000                  | 50,000                  |
| Maximum starting pressure (mbar)                  | $\leq 5 \times 10^{-2}$      | $\leq 1 \times 10^{-3}$ | $\leq 1 \times 10^{-3}$ |
| Ultimate pressure                                 | Below $10^{-11}$             |                         |                         |
| Inlet flange                                      | 6" CFF (NW 100) AISI 304 ESR |                         |                         |
| Maximum baking temperature (°C)                   | 350                          |                         |                         |
| Weight, kg (lbs)                                  | 43 (94)                      |                         |                         |

(\*) Tested according to ISO/DIS 3556-1-1992

Customized design available on request

Vaclon Plus 150 - Pumping Speed vs Pressure



— Nitrogen unsaturated Diode      — Nitrogen saturated Diode      — Argon saturated StarCell

## Ordering Information

| Description  | Part Number |
|--|-------------|
| <b>Pumps</b>                                       |             |
| Diode  | 9191510     |
| Diode with heaters installed 120 V                 | 9191511     |
| Diode with heaters installed 220 V                 | 9191512     |
| Diode double-ended                                 | 9191550     |
| Diode double-ended with heaters installed 120 V    | 9191551     |
| Diode double-ended with heaters installed 220 V    | 9191552     |
| StarCell   | 9191540     |
| StarCell with heaters installed 120 V              | 9191541     |
| StarCell with heaters installed 220 V              | 9191542     |
| StarCell double-ended                              | 9191580     |
| StarCell double-ended with heaters installed 120 V | 9191581     |
| StarCell double-ended with heaters installed 220 V | 9191582     |
| Diode "slim body"                                  | 9191510M004 |
| Diode "slim body" with heaters installed 120 V     | 9191511M003 |
| Diode "slim body" with heaters installed 220 V     | 9191512M008 |
| StarCell "slim body"                               | 9191540M012 |
| StarCell "slim body" with heaters installed 120 V  | 9191541M003 |
| StarCell "slim body" with heaters installed 220 V  | 9191542M010 |
| <i>Noble Diode versions available on request</i>   |             |
| <b>4UHV Controller</b>                             |             |
| 200 W neg  | 9299010     |
| 200 W pos  | 9299011     |
| 2 x 80 W neg                                       | 9299200     |
| 2 x 80 W pos                                       | 9299201     |
| 2 x 200 W neg                                      | 9299020     |
| 2 x 200 W pos                                      | 9299021     |
| 1 x 200 W pos & 1 x 200 W neg                      | 9299022     |
| 4 x 80 W neg                                       | 9299400     |
| 4 x 80 W pos                                       | 9299401     |

| Description  | Part Number |
|--|-------------|
| <b>4UHV Controller (cont'd)</b>  |             |
| 2 x 80 W pos & 2 x 80 W neg  | 9299402     |
| 2 x 80 W neg & 1 x 200 W neg   | 9299210     |
| 2 x 80 W pos & 1 x 200 W pos   | 9299211     |
| 2 x 80 W pos & 1 x 200 W neg   | 9299212     |
| 2 x 80 W neg & 1 x 200 W pos   | 9299213     |
| <b>HV Cables</b>   |             |
| HV Bakeable cable, radiation resistant, 4 m (13 ft.) long, with interlock  | 9290705     |
| HV Bakeable cable, radiation resistant, 7 m (23 ft.) long, with interlock  | 9290707     |
| HV Bakeable cable, radiation resistant, 10 m (33 ft.) long, with interlock | 9290708     |
| HV Bakeable cable, radiation resistant, 20 m (66 ft.) long, with interlock | 9290709     |
| <b>Replacement Parts</b>   |             |
| HV Feedthrough with interlock  | 9595125     |
| Pumping element* Diode   | 9199040     |
| Pumping element* Noble Diode   | 9199045     |
| Pumping element* StarCell  | 9199030     |
| Heaters** (Input Power 480 W) 120 V  | 9190073     |
| Heaters** (Input Power 480 W) 220 V  | 9190072     |

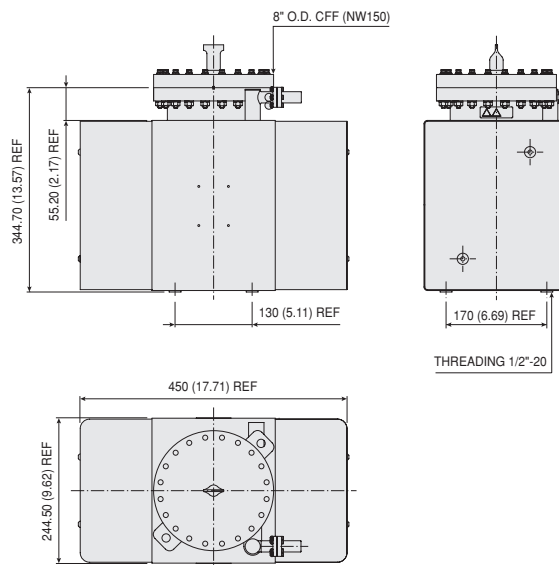
\* Quantity required: 2.

\*\* To order heaters for replacement or upgrading of existing pumps, please contact your local Agilent Vacuum Technologies representative.

|                    |          |
|--------------------|----------|
| Diode, Noble Diode | positive |
| StarCell, Triode   | negative |
| (see page 42)      |          |

# AGILENT ION PUMP MODELS

## ▶ Agilent Vaclon Plus 300



Dimensions: millimeters (inches)

### Technical Specifications

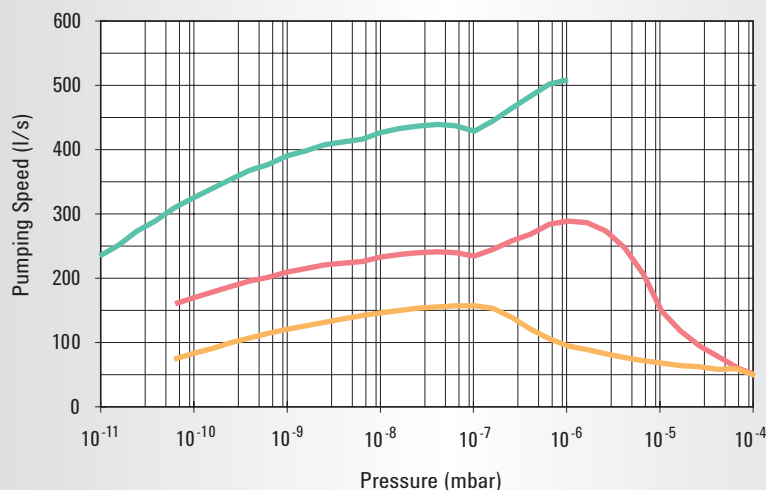
|   | StarCell                | Noble Diode                  | Diode                   |
|---|-------------------------|------------------------------|-------------------------|
| Nominal pumping speed for Nitrogen (*) (l/s)      | 240                     | 260                          | 300                     |
| Operating life at $1 \times 10^{-6}$ mbar (hours) | 80,000                  | 50,000                       | 50,000                  |
| Maximum starting pressure (mbar)                  | $\leq 5 \times 10^{-2}$ | $\leq 1 \times 10^{-3}$      | $\leq 1 \times 10^{-3}$ |
| Ultimate pressure                                 |                         | Below $10^{-11}$             |                         |
| Inlet flange                                      |                         | 8" CFF (NW 150) AISI 304 ESR |                         |
| Maximum baking temperature (°C)                   |                         | 350                          |                         |
| Weight, kg (lbs)                                  |                         | 69 (149)                     |                         |

(\*) Tested according to ISO/DIS 3556-1-1992

Customized design available on request



Vaclon Plus 300 - Pumping Speed vs Pressure



— Nitrogen unsaturated Diode      — Nitrogen saturated Diode      — Argon saturated StarCell

## Ordering Information

| Description                                      | Part Number   |
|--|---------------|
| <b>Pumps</b>                                     |               |
| Diode  | 9191610       |
| Diode with heaters installed                     | 120 V 9191611 |
| Diode with heaters installed                     | 220 V 9191612 |
| Diode double-ended                               | 9191650       |
| Diode double-ended with heaters installed        | 120 V 9191651 |
| Diode double-ended with heaters installed        | 220 V 9191652 |
| StarCell   | 9191640       |
| StarCell with heaters installed                  | 120 V 9191641 |
| StarCell with heaters installed                  | 220 V 9191642 |
| StarCell double-ended                            | 9191680       |
| StarCell double-ended with heaters installed     | 120 V 9191681 |
| StarCell double-ended with heaters installed     | 220 V 9191682 |
| <i>Noble Diode versions available on request</i> |               |
| <b>4UHV Controller</b>                           |               |
| 200 W neg  | 9299010       |
| 200 W pos  | 9299011       |
| 2 x 80 W neg                                     | 9299200       |
| 2 x 80 W pos                                     | 9299201       |
| 2 x 200 W neg                                    | 9299020       |
| 2 x 200 W pos                                    | 9299021       |
| 1 x 200 W pos & 1 x 200 W neg                    | 9299022       |
| 4 x 80 W neg                                     | 9299400       |
| 4 x 80 W pos                                     | 9299401       |
| 2 x 80 W pos & 2 x 80 W neg                      | 9299402       |

| Description  | Part Number   |
|--|---------------|
| <b>4UHV Controller (cont'd)</b>  |               |
| 2 x 80 W neg & 1 x 200 W neg   | 9299210       |
| 2 x 80 W pos & 1 x 200 W pos   | 9299211       |
| 2 x 80 W pos & 1 x 200 W neg   | 9299212       |
| 2 x 80 W neg & 1 x 200 W pos   | 9299213       |
| <b>HV Cables</b>   |               |
| HV Bakeable cable, radiation resistant, 4 m (13 ft.) long, with interlock  | 9290705       |
| HV Bakeable cable, radiation resistant, 7 m (23 ft.) long, with interlock  | 9290707       |
| HV Bakeable cable, radiation resistant, 10 m (33 ft.) long, with interlock | 9290708       |
| HV Bakeable cable, radiation resistant, 20 m (66 ft.) long, with interlock | 9290709       |
| <b>Replacement Parts</b>   |               |
| HV Feedthrough with interlock  | 9595125       |
| Pumping element* Diode   | 9199040       |
| Pumping element* Noble Diode   | 9199045       |
| Pumping element* StarCell  | 9199030       |
| Heaters** (Input Power 580 W)  | 120 V 9190075 |
| Heaters** (Input Power 580 W)  | 220 V 9190074 |

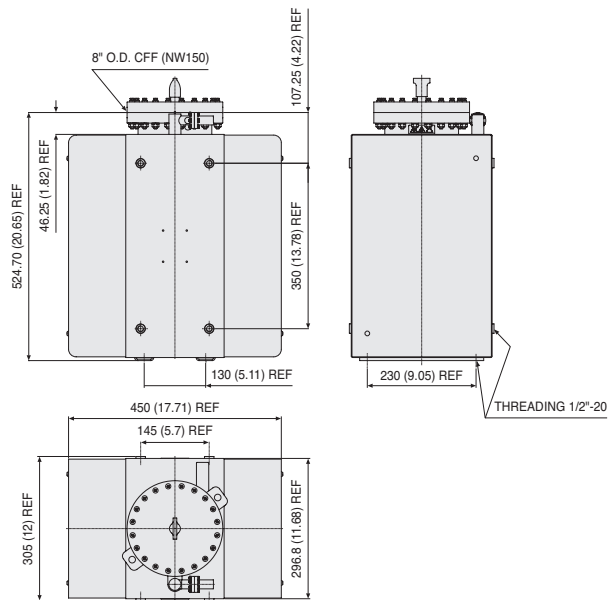
\* Quantity required: 4.

\*\* To order heaters for replacement or upgrading of existing pumps, please contact your local Agilent Vacuum Technologies representative.

|                    |          |
|--------------------|----------|
| Diode, Noble Diode | positive |
| StarCell, Triode   | negative |
| (see page 42)      |          |

# AGILENT ION PUMP MODELS

## ▶ Agilent Vaclon Plus 500



Dimensions: millimeters (inches)

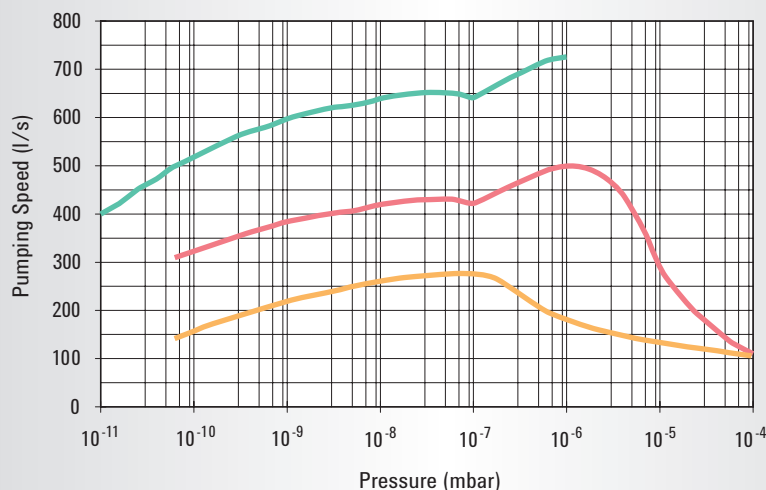
### Technical Specifications

|   | StarCell                | Noble Diode                  | Diode              |
|---|-------------------------|------------------------------|--------------------|
| Nominal pumping speed for Nitrogen (*) (l/s)      | 410                     | 440                          | 500                |
| Operating life at $1 \times 10^{-6}$ mbar (hours) | 80,000                  | 50,000                       | 50,000             |
| Maximum starting pressure (mbar)                  | $\leq 5 \times 10^{-2}$ | $\leq 1 \times 10^{-3}$      | $1 \times 10^{-3}$ |
| Ultimate pressure                                 |                         | Below $10^{-11}$             |                    |
| Inlet flange                                      |                         | 8" CFF (NW 150) AISI 304 ESR |                    |
| Maximum baking temperature (°C)                   |                         | 350                          |                    |
| Weight, kg (lbs)                                  |                         | 120 (264)                    |                    |

(\*) Tested according to ISO/DIS 3556-1-1992

Customized design available on request

Vaclon Plus 500 - Pumping Speed vs Pressure



— Nitrogen unsaturated Diode      — Nitrogen saturated Diode      — Argon saturated StarCell

## Ordering Information

| Description                                      | Part Number   |
|--|---------------|
| <b>Pumps</b>                                     |               |
| Diode  | 9191710       |
| Diode with heaters installed                     | 120 V 9191711 |
| Diode with heaters installed                     | 220 V 9191712 |
| Diode double-ended                               | 9191750       |
| Diode double-ended with heaters installed        | 120 V 9191751 |
| Diode double-ended with heaters installed        | 220 V 9191752 |
| StarCell   | 9191740       |
| StarCell with heaters installed                  | 120 V 9191741 |
| StarCell with heaters installed                  | 220 V 9191742 |
| StarCell double-ended                            | 9191780       |
| StarCell double-ended with heaters installed     | 120 V 9191781 |
| StarCell double-ended with heaters installed     | 220 V 9191782 |
| <i>Noble Diode versions available on request</i> |               |
| <b>4UHV Controller</b>                           |               |
| 200 W neg  | 9299010       |
| 200 W pos  | 9299011       |
| 2 x 80 W neg                                     | 9299200       |
| 2 x 80 W pos                                     | 9299201       |
| 2 x 200 W neg                                    | 9299020       |
| 2 x 200 W pos                                    | 9299021       |
| 1 x 200 W pos & 1 x 200 W neg                    | 9299022       |
| 4 x 80 W neg                                     | 9299400       |
| 4 x 80 W pos                                     | 9299401       |
| 2 x 80 W pos & 2 x 80 W neg                      | 9299402       |

| Description  | Part Number   |
|--|---------------|
| <b>4UHV Controller (cont'd)</b>  |               |
| 2 x 80 W neg & 1 x 200 W neg   | 9299210       |
| 2 x 80 W pos & 1 x 200 W pos   | 9299211       |
| 2 x 80 W pos & 1 x 200 W neg   | 9299212       |
| 2 x 80 W neg & 1 x 200 W pos   | 9299213       |
| <b>HV Cables</b>   |               |
| HV Bakeable cable, radiation resistant, 4 m (13 ft.) long, with interlock  | 9290705       |
| HV Bakeable cable, radiation resistant, 7 m (23 ft.) long, with interlock  | 9290707       |
| HV Bakeable cable, radiation resistant, 10 m (33 ft.) long, with interlock | 9290708       |
| HV Bakeable cable, radiation resistant, 20 m (66 ft.) long, with interlock | 9290709       |
| <b>Replacement Parts</b>   |               |
| HV Feedthrough with interlock  | 9595125       |
| Pumping element* Diode   | 9199040       |
| Pumping element* Noble Diode   | 9199045       |
| Pumping element* StarCell  | 9199030       |
| Heaters** (Input Power 780 W)  | 120 V 9190077 |
| Heaters** (Input Power 780 W)  | 220 V 9190076 |

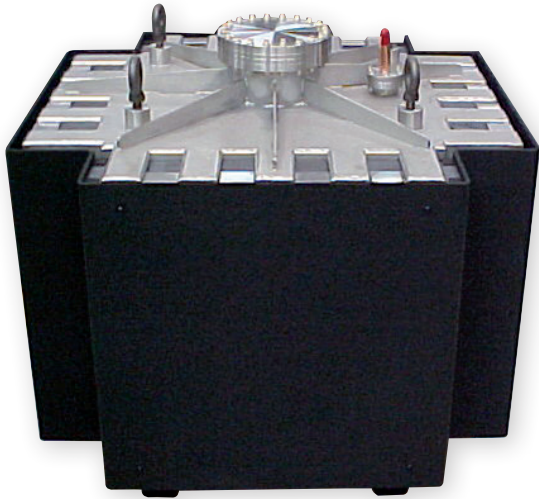
\* Quantity required: 8.

\*\* To order heaters for replacement or upgrading of existing pumps, please contact your local Agilent Vacuum Technologies representative.

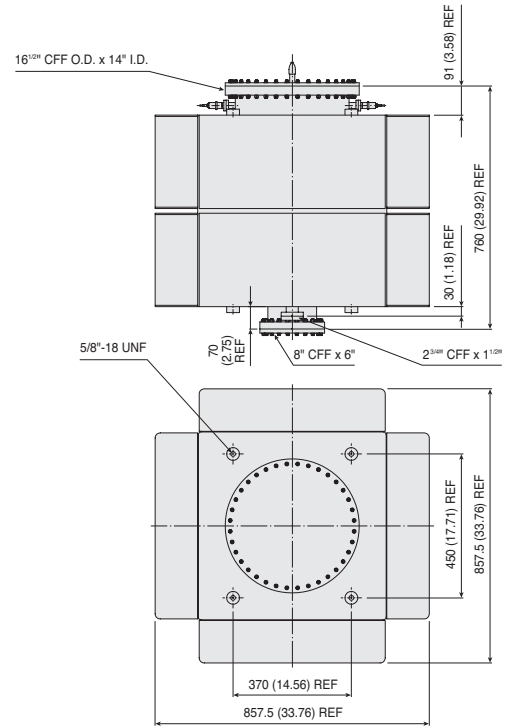
|                    |          |
|--------------------|----------|
| Diode, Noble Diode | positive |
| StarCell, Triode   | negative |
| (see page 42)      |          |

# AGILENT ION PUMP MODELS

## ▶ Agilent Vaclon Plus Large Size Pumps

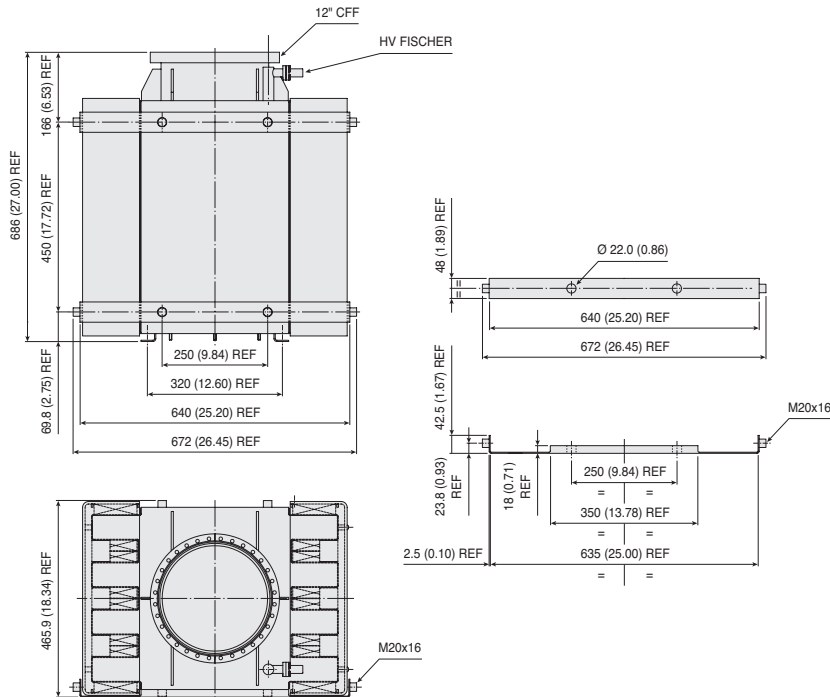


### Agilent Vaclon Plus 2500 I/s



Larger Ion Pumps up to 2500 I/s, in StarCell and Diode versions, are available on request. Please contact Agilent for technical specifications and ordering information.

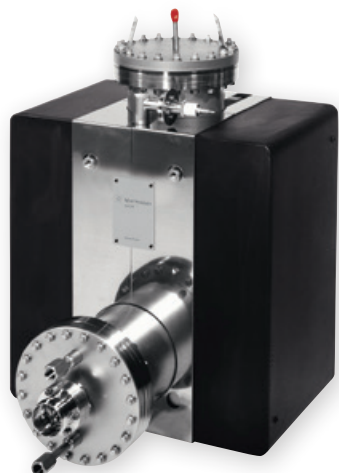
### Agilent Vaclon Plus 960 I/s



Dimensions: millimeters (inches)

# ION PUMPS

## ► Agilent Vaclon *Plus* Combination Pumps



### Titanium Sublimation Combination Pumps

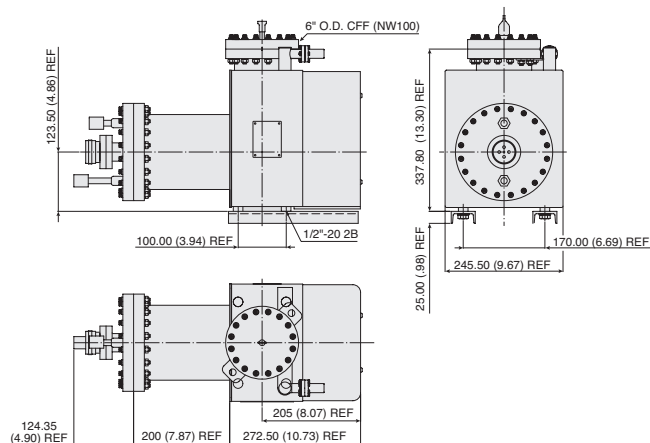
- Ion-Sublimation combination pumps have been a popular choice for many years for creating ultra high vacuum environments. The titanium sublimation creates extra high getterable gas pumping speed while the ion pumping mechanisms handle the non-getterable gases such as argon and methane.
- This combination pump is a Vaclon *Plus* 150, 300, or 500 with an extra side or bottom-mounted 8" ConFlat port. The combination pump includes the cylindrical cryopanel and TSP source mounted to the extra port. Getterable gases enter the end of the cylindrical cryopanel and are pumped by being combined with the freshly-deposited titanium there. Liquid nitrogen cooling the cryopanel increases the efficiency of the getting process and adds greatly to the water pumping speed.
- The Agilent Vaclon *Plus* series combination pumps allow addition of a cryopanel from the bottom of the pump or from the side. This can be a significant advantage in situations where height restrictions are present. Customized pump configurations are also available.

### Technical Specifications

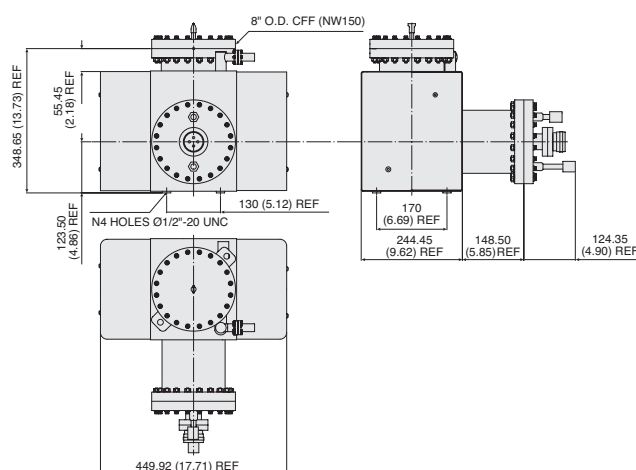
**Nominal net pumping speed at 20 °C (l/s) with StarCell elements (water cooled cryopanel)**

|                        |  |
|------------------------|--|
| Vaclon <i>Plus</i> 150 | N <sub>2</sub> – 610<br>H <sub>2</sub> – 1,380 |
| Vaclon <i>Plus</i> 300 | N <sub>2</sub> – 720<br>H <sub>2</sub> – 1,580 |
| Vaclon <i>Plus</i> 500 | N <sub>2</sub> – 880<br>H <sub>2</sub> – 1,930 |

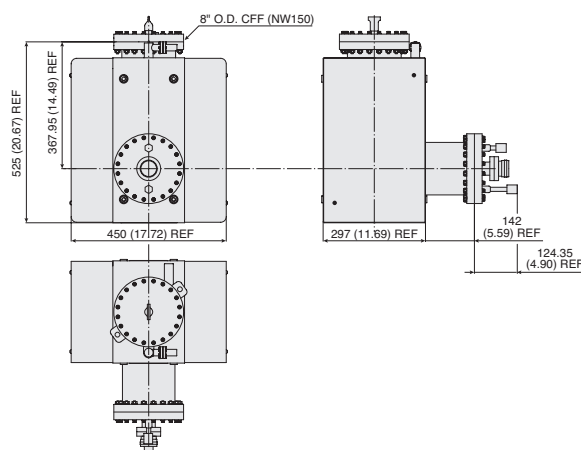
### Vaclon *Plus* 150 Combination Pump (side-mounted TSP)



### Vaclon *Plus* 300 Combination Pump (side-mounted TSP)



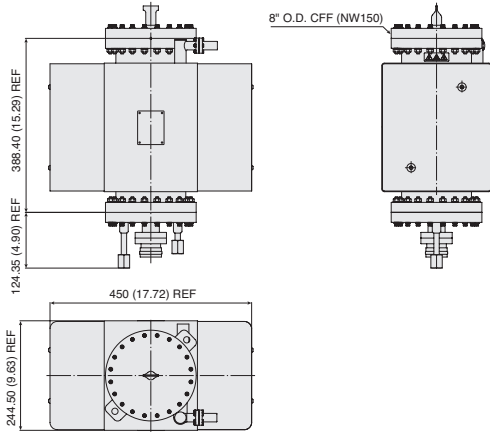
### Vaclon *Plus* 500 Combination Pump (side-mounted TSP)



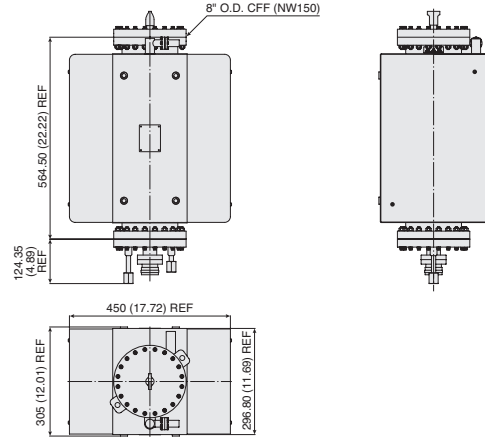
# AGILENT ION PUMP MODELS

## ▶ Agilent Vaclon Plus Combination Pumps

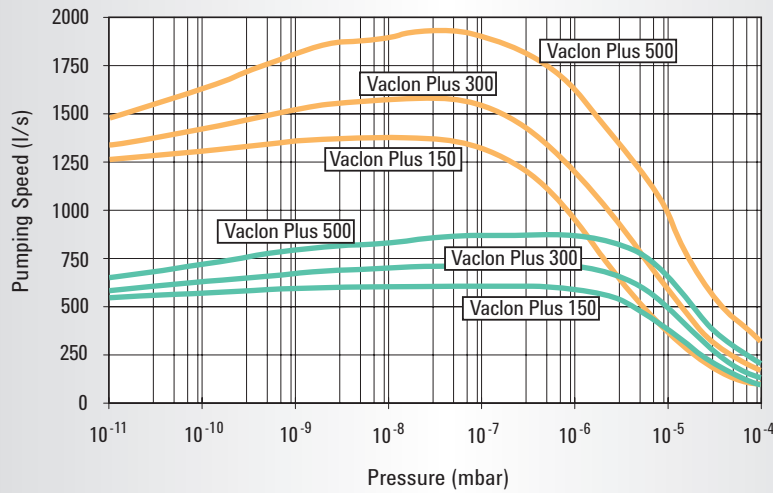
**Vaclon Plus 300 Combination Pump (bottom-mounted TSP)**



**Vaclon Plus 500 Combination Pump (bottom-mounted TSP)**



### Combination Pumps Pumping Speed



— Nitrogen StarCell

— Hydrogen StarCell

# ION PUMPS

## Ordering Information

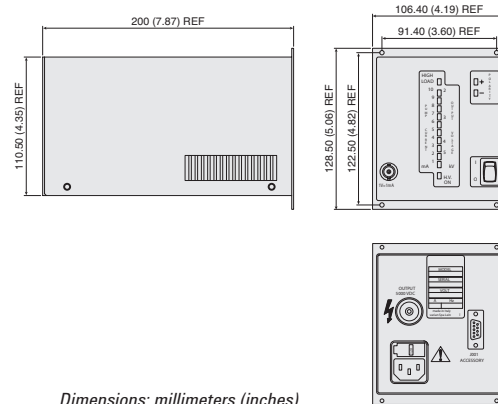
The Vaclon *Plus* 500, 300, and 150 pumps can be supplied with the sublimation cryopanel factory-installed and TSP cartridge included. Cables and controllers are to be ordered separately. For basic pump part number, see pages 22-27.

| Description   | Part Number |         |
|---|-------------|---------|
| Vaclon <i>Plus</i> 500, 300, or 150 combination pump  |             |         |
| Vaclon <i>Plus</i> 150 Diode, with Side-Mounted Cryopanel, with TSP Cartridge and with Installed Heater         | 120V        | 9192510 |
| Vaclon <i>Plus</i> 150 Diode, with Side-Mounted Cryopanel, with TSP Cartridge and with Installed Heater         | 220V        | 9192511 |
| Vaclon <i>Plus</i> 150 Noble Diode, with Side-Mounted Cryopanel, with TSP Cartridge and with Installed Heater   | 120V        | 9192520 |
| Vaclon <i>Plus</i> 150 Noble Diode, with Side-Mounted Cryopanel, with TSP Cartridge and with Installed Heater   | 220V        | 9192521 |
| Vaclon <i>Plus</i> 150 Starcell, with Side-Mounted Cryopanel, with TSP Cartridge and with Installed Heater      | 120V        | 9192540 |
| Vaclon <i>Plus</i> 150 Starcell, with Side-Mounted Cryopanel, with TSP Cartridge and with Installed Heater      | 220V        | 9192541 |
| Vaclon <i>Plus</i> 300 Diode, with Side-Mounted Cryopanel, with TSP Cartridge and with Installed Heater         | 120V        | 9192610 |
| Vaclon <i>Plus</i> 300 Diode, with Side-Mounted Cryopanel, with TSP Cartridge and with Installed Heater         | 220V        | 9192611 |
| Vaclon <i>Plus</i> 300 Noble Diode, with Side-Mounted Cryopanel, with TSP Cartridge and with Installed Heater   | 120V        | 9192620 |
| Vaclon <i>Plus</i> 300 Noble Diode, with Side-Mounted Cryopanel, with TSP Cartridge and with Installed Heater   | 220V        | 9192621 |
| Vaclon <i>Plus</i> 300 Starcell, with Side-Mounted Cryopanel, with TSP Cartridge and with Installed Heater      | 120V        | 9192640 |
| Vaclon <i>Plus</i> 300 Starcell, with Side-Mounted Cryopanel, with TSP Cartridge and with Installed Heater      | 220V        | 9192641 |
| Vaclon <i>Plus</i> 300 Diode, with Bottom-Mounted Cryopanel, with TSP Cartridge and with Installed Heater       | 120V        | 9192612 |
| Vaclon <i>Plus</i> 300 Diode, with Bottom-Mounted Cryopanel, with TSP Cartridge and with Installed Heater       | 220V        | 9192613 |
| Vaclon <i>Plus</i> 300 Noble Diode, with Bottom-Mounted Cryopanel, with TSP Cartridge and with Installed Heater | 120V        | 9192622 |
| Vaclon <i>Plus</i> 300 Noble Diode, with Bottom-Mounted Cryopanel, with TSP Cartridge and with Installed Heater | 220V        | 9192623 |
| Vaclon <i>Plus</i> 300 Starcell, with Bottom-Mounted Cryopanel, with TSP Cartridge and with Installed Heater    | 120V        | 9192642 |
| Vaclon <i>Plus</i> 300 Starcell, with Bottom-Mounted Cryopanel, with TSP Cartridge and with Installed Heater    | 220V        | 9192643 |
| Vaclon <i>Plus</i> 500 Diode, with Side-Mounted Cryopanel, with TSP Cartridge and with Installed Heater         | 120V        | 9192710 |
| Vaclon <i>Plus</i> 500 Diode, with Side-Mounted Cryopanel, with TSP Cartridge and with Installed Heater         | 220V        | 9192711 |
| Vaclon <i>Plus</i> 500 Noble Diode, with Side-Mounted Cryopanel, with TSP Cartridge and with Installed Heater   | 120V        | 9192720 |
| Vaclon <i>Plus</i> 500 Noble Diode, with Side-Mounted Cryopanel, with TSP Cartridge and with Installed Heater   | 220V        | 9192721 |
| Vaclon <i>Plus</i> 500 Starcell, with Side-Mounted Cryopanel, with TSP Cartridge and with Installed Heater      | 120V        | 9192740 |
| Vaclon <i>Plus</i> 500 Starcell, with Side-Mounted Cryopanel, with TSP Cartridge and with Installed Heater      | 220V        | 9192741 |
| Vaclon <i>Plus</i> 500 Diode, with Bottom-Mounted Cryopanel, with TSP Cartridge and with Installed Heater       | 120V        | 9192712 |
| Vaclon <i>Plus</i> 500 Diode, with Bottom-Mounted Cryopanel, with TSP Cartridge and with Installed Heater       | 220V        | 9192713 |
| Vaclon <i>Plus</i> 500 Noble Diode, with Bottom-Mounted Cryopanel, with TSP Cartridge and with Installed Heater | 120V        | 9192722 |
| Vaclon <i>Plus</i> 500 Noble Diode, with Bottom-Mounted Cryopanel, with TSP Cartridge and with Installed Heater | 220V        | 9192723 |
| Vaclon <i>Plus</i> 500 Starcell, with Bottom-Mounted Cryopanel, with TSP Cartridge and with Installed Heater    | 120V        | 9192742 |
| Vaclon <i>Plus</i> 500 Starcell, with Bottom-Mounted Cryopanel, with TSP Cartridge and with Installed Heater    | 220V        | 9192743 |

| Description  |      | Weight kg (lbs) | Part Number |
|--|------|-----------------|-------------|
| Replacement Parts and Accessories                                |      |                 |             |
| TSP Filament Cartridge on 2 3/4" CFF                             |      | 2.7 (6.0)       | 9160050     |
| Replacement filaments, package of 12 each                        |      | 0.4 (2.0)       | 9160051     |
| Titanium Sublimation Pump Control Unit (Order cables separately) | 120V | 17.7 (39.0)     | 9290022     |
| Titanium Sublimation Pump Control Unit (Order cables separately) | 220V | 17.7 (39.0)     | 9290023     |
| TSP Cartridge cable, 3.5 m (12 ft.)                              |      | 9.1 (20.0)      | 9240730     |
| Sublimation Cryopanel on 8" CFF                                  |      | 10.5 (23.0)     | 9190180     |

# AGILENT ION PUMP CONTROLLERS

## ▶ Agilent Mini Vac Controller



The MiniVac Ion Pump Controller is designed to economically operate any Vaclon Plus type and size: Diode, Noble Diode, and StarCell, from Miniature to 500 l/s pumps. The MiniVac is very compact and light, can be operated in local or remote mode, and is suitable for high radiation environments.

**Medium pumps** (Vaclon Plus 20 to 75) can be operated at any pressure below  $1 \times 10^{-5}$  mbar (continuous operation).

**Large pumps** (Vaclon Plus 150 to 500) can be operated at any pressure below  $2 \times 10^{-6}$  mbar (continuous operation).

The MiniVac is designed to withstand continuous operation at short circuit conditions, without damaging the ion pump or itself. A 24 V battery-operable version is available for portable applications.

### Technical Specifications

#### Input

90 to 130 VAC or 180 to 240 VAC or 24 VDC

#### Output

Voltage:  $\pm 5000$  VDC (open load) (factory pre-set is negative)

Current: 15 mA (short circuit)

Maximum Power: 21 W (3 kV at 7 mA)

#### Front Panel

HV ON, HIGH LOAD, and POLARITY LEDs

LED bargraph linear scale for current and voltage indication

Recorder Output 0 to +10 VDC linear proportional to current (10 V = 10 mA)

#### Safety Marks

CE

#### Conformity to Norms

Safety: EN61010-1

EMI/EMC: EN61000-4-2, EN61000-4-3, EN61000-4-4

#### Rear Panel

Nine pin "D" type connector with following available signals and commands Recorder outputs:

- 0 to +5 VDC, linear proportional to HV (1 V = 1 kV)
- 0 to +10 VDC, linear proportional to current (10 V = 10 mA)
- 0 to +10 VDC, linear proportional to current (10 V = 1 mA)

HV ON confirm signal: Contact rating – 1 A at 250 VAC; 0.2 A at 30 VDC

Remote HV ON/OFF (interlock) command

HV connector: Fischer type 105 or King type, 10 kV



# ION PUMPS

## Ordering Information

| Description                            |  | Weight kg (lbs) | Part Number |
|--|--|-----------------|-------------|
| <b>MiniVac Controller</b>              |  |                 |             |
| With any Vaclon Plus pump              | MiniVac, FISCHER HV connector, US plug, 120 V preset                                     | 2.3 (5.0)       | 9290191     |
|  | MiniVac, FISCHER HV connector, European plug, 220 V preset                               | 2.3 (5.0)       | 9290290     |
|  | MiniVac, FISCHER HV connector, 24 VDC  | 2.3 (5.0)       | 9290196     |
| With small Vaclon pumps (2 and 10 l/s) | MiniVac, KING HV connector, US plug, 120 V preset  | 2.3 (5.0)       | 9290190     |
|  | MiniVac, KING HV connector, European plug, 220 V preset                                  | 2.3 (5.0)       | 9290291     |
|  | MiniVac, KING HV connector, 24 VDC   | 2.3 (5.0)       | 9290197     |
| <b>Accessories and Cables</b>          |  |                 |             |
|  | 19" Rack adapter   | 4.5 (10.0)      | 9699191     |
| With any Vaclon Plus pump              | HV bakeable cable, radiation resistant, 4 m (13 ft.) long, with Interlock                | 0.9 (2.0)       | 9290705     |
|  | HV bakeable cable, radiation resistant, 7 m (23 ft.) long, with Interlock                | 1.6 (3.5)       | 9290707     |
|  | HV bakeable cable, radiation resistant, 10 m (33 ft.) long, with Interlock               | 2.2 (5.0)       | 9290708     |
|  | HV bakeable cable, radiation resistant, 20 m (66 ft.) long, with Interlock               | 4.4 (10.0)      | 9290709     |
| With small Vaclon pumps (2 and 10 l/s) | HV bakeable cable, radiation resistant, 4 m (13 ft.) long, with Interlock for 2 l/s pump | 0.9 (2.0)       | 9290706     |
|  | HV cable, 3 m (10 ft.) long, for 8 l/s Vaclon pumps                                      | 0.9 (2.0)       | 9240741     |

|                                   |          |
|-----------------------------------|----------|
| Diode, Noble Diode                | positive |
| StarCell, Triode<br>(see page 42) | negative |

# AGILENT ION PUMP CONTROLLERS

## ▶ Agilent 4UHV Ion Pump Controller



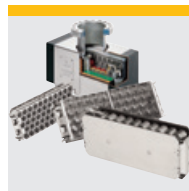
### How much power do I need for my ion pumps?

Power requirement depends on the pump size and starting pressure; the larger the pump and higher the starting pressure, the higher the power consumption. The largest standard Ion Pump configuration, 500 l/s, can be easily started with 200W up to  $10^{-5}$  mbar, while a medium size pump (75 l/s) needs less than 80 W to be started at the same pressure, and 80 W are sufficient to operate a 500 l/s in the typical Ion Pump operating range (below  $2 \times 10^{-6}$  mbar).



### Why was the higher power rating necessary in the past?

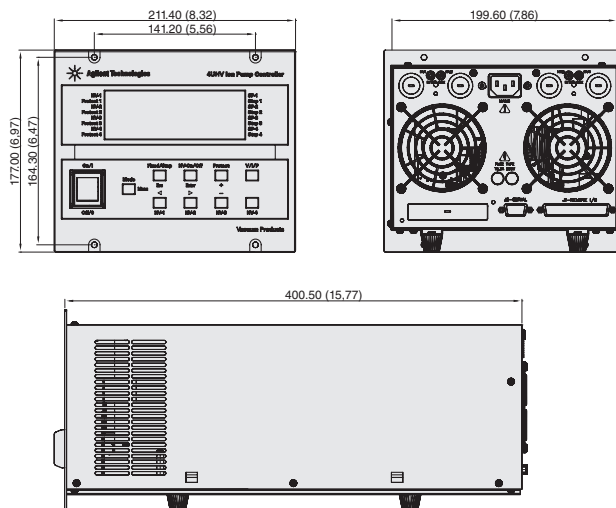
In the past ion pumps were started with the aid of sorption pumps, able to reach  $10^{-4}$  mbar only. As a consequence, much larger and more powerful Ion pumps controller were needed. The resulting life of Ion Pumps started at such high pressures was much shorter (1 minute of operation at  $10^{-4}$  mbar is equivalent to 2 months at  $10^{-9}$  mbar). Today's oil-free turbo pumps, backed by oil-free primary pumps, achieve lower pressures, thereby reducing the starting pressure of the ion pump. This reduces the maximum power requirement of the ion pump controller and extends the lifetime of the ion pump.



### Negative or positive?

The requirement of negative or positive potential depends on the pumping element installed in the ion pump. Diode style elements (Diode & Noble Diode) need positive voltages, while Triode style elements (old style Triode & StarCell) need negative voltages for operation.

# ION PUMPS



Dimensions: millimeters (inches)

## Technical Specifications

|                                       |   |
|---------------------------------------|---|
| <b>Input voltage</b>                  | 100 - 240 Vac (+/-10%)  |
| <b>Input frequency</b>                | 50/60 Hz  |
| <b>Dimensions</b>                     | 400.5 x 211.4 x 177.0 mm (l x w x h)                              |
| <b>Display</b>                        | 4 rows with 20 characters   |
| <b>Available configurations</b>       | 1 x 200 W, 2 x 80 W,<br>2 x 200 W, 4 x 80 W, 2 x 80 W + 1 x 200 W |
| <b>Minimum configuration</b>          | One HV card with 200W or 2x80W                                    |
| <b>Output voltage (Open Circuit)</b>  | 3.5 and 7 kV  |
| <b>Output current (Short Circuit)</b> | 40 mA for 80 W channel,<br>100 mA for 200 W channel               |

|                                  |   |
|----------------------------------|---|
| <b>Modes of operation</b>        | Local / Serial / Remote                             |
| <b>Front panel readings</b>      | Voltage, Pressure, Current, Status                  |
| <b>Safety marks</b>              | CE, C, CSA, US                                      |
| <b>Current measurement range</b> | 10 nA to 100 mA                                     |
| <b>Input signals</b>             | On/off; Protect; Step Mode;                         |
| <b>Output signals</b>            | Analog Out; NC Set-point; NO Set-point              |
| <b>HV connector</b>              | Fischer Type 105                                    |
| <b>Output Power Maximum</b>      | 400 W   |
| <b>Communications</b>            | RS232/485 standard<br>Profibus or Ethernet optional |

## Ordering Information

| Description                   | Part Number |
|-------------------------------|-------------|
| <b>4UHV Controller</b>        |             |
| 200 W neg                     | 9299010     |
| 200 W pos                     | 9299011     |
| 2 x 80 W neg                  | 9299200     |
| 2 x 80 W pos                  | 9299201     |
| 2 x 200 W neg                 | 9299020     |
| 2 x 200 W pos                 | 9299021     |
| 1 x 200 W pos & 1 x 200 W neg | 9299022     |
| 4 x 80 W neg                  | 9299400     |
| 4 x 80 W pos                  | 9299401     |
| 2 x 80 W pos & 2 x 80 W neg   | 9299402     |
| 2 x 80 W neg & 1 x 200 W neg  | 9299210     |
| 2 x 80 W pos & 1 x 200 W pos  | 9299211     |
| 2 x 80 W pos & 1 x 200 W neg  | 9299212     |
| 2 x 80 W neg & 1 x 200 W pos  | 9299213     |

Ethernet and Profibus communication available

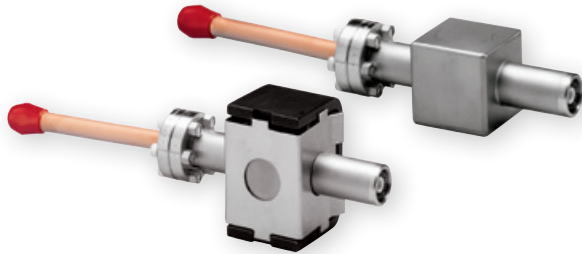
- Add 729 to PN for ETHERNET configuration (i.e. 7299400 4x80W Neg with Ethernet)
- Add 829 to PN for PROFIBUS configuration (i.e. 8299400 4UHV 4x80W Neg with Profibus)

| Description  | Part Number |
|--|-------------|
| <b>Accessories and Cables *</b>  |             |
| HV Bakeable cable, radiation resistant, 4 m (13 ft.) long, with interlock  | 9290705     |
| HV Bakeable cable, radiation resistant, 7 m (23 ft.) long, with interlock  | 9290707     |
| HV Bakeable cable, radiation resistant, 10 m (33 ft.) long, with interlock | 9290708     |
| HV Bakeable cable, radiation resistant, 20 m (66 ft.) long, with interlock | 9290709     |
| Rack adapter 19"   | 9290064     |
| Mains cable NEMA Plug, 3 m (10 ft.) long                                   | 9699958     |
| Mains cable European Plug, 3 m (10 ft.) long                               | 9699957     |

(\* ) The unit does not include the power cable, please order the cable separately.

## AGILENT ION PUMP MODELS

### ▶ Agilent Miniature and Small Vaclon Pumps and Controllers



Agilent offers a wide variety of small size ion pumps designed especially for electron device and detector applications. The Miniature Vaclon pump is a diode configuration and provides approximately 0.4 l/s of nitrogen pumping speed. The 2 l/s model is a modified diode configuration to enhance starting at low pressure. The 10 l/s pump is a noble gas optimized diode configuration with high efficiency for residual gases such as hydrogen. The pumping speed for noble gases is about 20% of the nominal speed.

Pumps that are processed are baked to 400 °C and pinched

off under vacuum, which allows the vacuum integrity to be verified by the user just before use. Non-processed pumps are tested for no vacuum leaks and minimum leakage current.

#### Modified and Customized Versions

Modified versions of standard pumps can be provided when different inlet tube lengths, angles, and diameters are required. These pumps can also be customized with different high voltage feedthroughs, body geometries, and pumping cell arrangements. Special testing procedures can be quoted for customers who have specific requirements in this area.

### Ordering Information

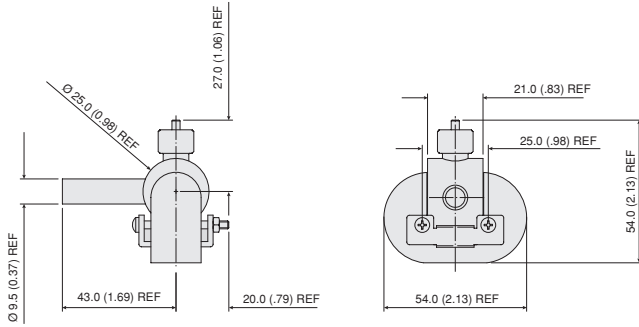
See pages 32-33 for controllers, cables, and accessories.

| Description   | Weight kg (lbs) | Part Number |
|---|-----------------|-------------|
| <b>Miniature Pump</b>   |                 |             |
| With 3/8" OD 180° stainless steel tube  | 0.5 (1.0)       | 9130038     |
| With 3/8" OD 90° stainless steel tube   | 0.5 (1.0)       | 9130041     |
| With 3/8" OD 180° copper tube, vacuum processed   | 0.5 (1.0)       | 9130049     |
| With 3/8" OD 90° copper tube, vacuum processed  | 0.5 (1.0)       | 9130050     |
| Magnet for Miniature pump   | 0.5 (1.0)       | 9130042     |
| HV cable, 2.4 m (8 ft.) long, for Mini Vaclon pumps                                     | 0.9 (2.0)       | 9240122     |
| <b>2 l/s Pump</b>   |                 |             |
| With 3/4" OD 180° stainless steel tube  | 0.9 (2.0)       | 9190521     |
| With 3/4" OD 180° copper tube, vacuum processed   | 0.9 (2.0)       | 9190522     |
| With 3/4" OD 180° stainless steel tube, vacuum processed                                | 0.9 (2.0)       | 9190523     |
| With 3/4" OD 90° stainless steel tube, tee style  | 0.9 (2.0)       | 9190524     |
| With 1 1/3" CFF 180° vacuum processed   | 0.9 (2.0)       | 9190520     |
| Magnet for 2 l/s pump   | 0.9 (2.0)       | 9190038     |
| HV bakeable cable, radiation resistant, 4 m (13 ft.) long with interlock for 2 l/s pump | 0.9 (2.0)       | 9290706     |
| <b>10 l/s Pump</b>  |                 |             |
| 10 l/s Vaclon pump, processed, with 2 3/4" CFF  | 3.6 (8.0)       | 9195005     |
| Magnet assembly for 10 l/s Vaclon pump  | 5.0 (11.0)      | 9110030     |
| HV cable, 3 m (10 ft.) long, for 10 l/s Vaclon pumps                                    | 0.9 (2.0)       | 9240741     |

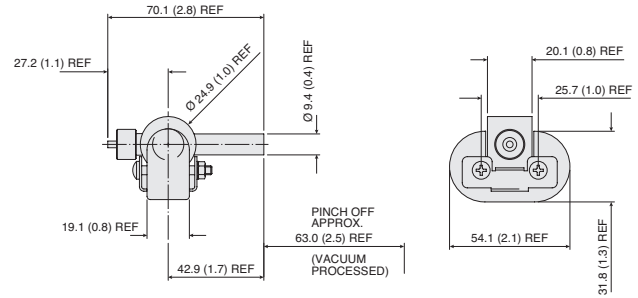
*Magnets must be ordered separately.*

# ION PUMPS

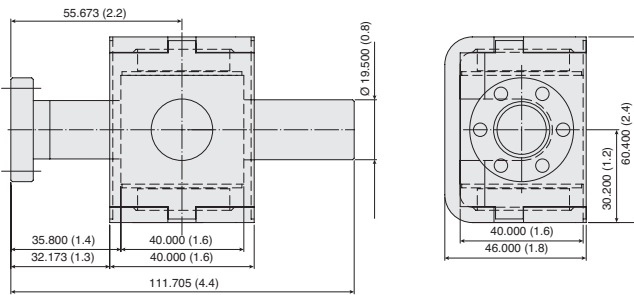
**Miniature Pump (90 deg. config.)**



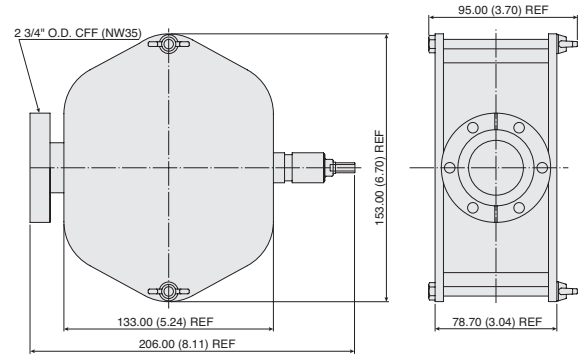
**Miniature Pump (180 deg. config.)**



**2 l/s Pump**



**10 l/s Pump**



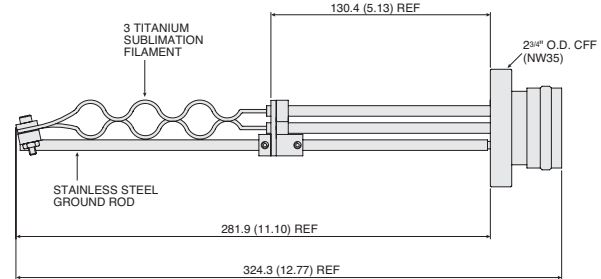
Dimensions: millimeters (inches)

The Miniature and 2 l/s pumps are available with copper or stainless steel inlet tubes in 90- or 180-degree configurations, relative to the high voltage feedthrough.

Ion Pumps

# AGILENT TITANIUM SUBLIMATION PUMPS AND CONTROLLERS

## TSP Cartridge



Dimensions: millimeters (inches)

Titanium sublimation pumps (TSPs) are typically used as an effective way to pump getterable gases such as hydrogen and nitrogen in UHV systems. TSPs are often combined with ion pumping, since the ion pump is effective with non-getterable UHV gases such as argon and methane. The TSP can be added to the inside of the ion pump, or as a separate pumping unit. If the TSP is used in conjunction with a liquid nitrogen-cooled cryopanel, extra high water pumping speed will be achieved. Agilent offers two different types of titanium sublimation pumps: filament and titanium ball sources. Filament-type TSP sources are most popular with UHV systems since they can be turned off between sublimations and thus do not add thermally-induced outgassing. The ball-type sources contain larger amounts of titanium which means longer life when operated under conditions that use more titanium, such as higher operating pressures. However, the ball sources require standby power between sublimations to prevent cracks from forming in the titanium ball.

The factors affecting titanium sublimation pumping efficiency include sublimation rate, frequency, surface area, and temperature. Sublimation pumping speed is generally a constant value below  $10^{-7}$  mbar.

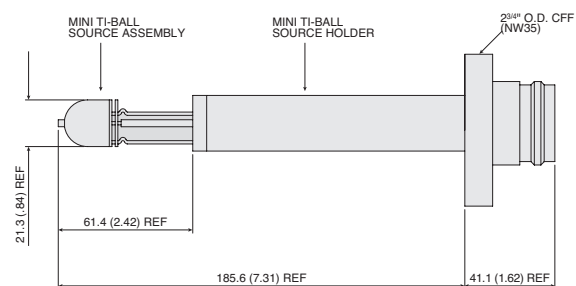
### TSP Cartridge Filament Source

The popular TSP cartridge is provided on a 2 3/4" OD ConFlat flange and contains three titanium-molybdenum filaments, each with 1.1 grams of usable titanium. The cartridge assembly is bakeable to 400 °C. Maximum sublimation is achieved at 300 watts of source power.

### Technical Specifications

|                                |                              |
|--------------------------------|------------------------------|
| Usable titanium (per filament) | 1.1 grams                    |
| Total usable                   | 3.3 grams                    |
| Operating range                | $10^{-4}$ to $10^{-12}$ mbar |

## Mini Ti-Ball



Dimensions: millimeters (inches)

### Mini Ti-Ball Source

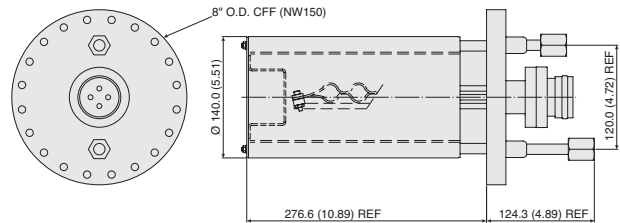
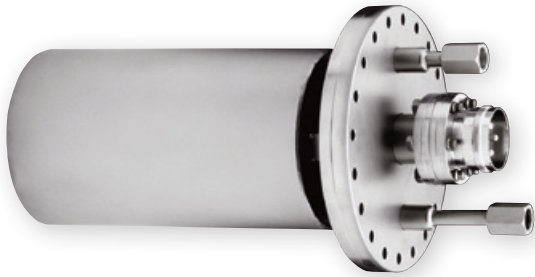
The Mini Ti-Ball source provides 15.2 grams of usable titanium and is mounted on a 2 3/4" OD ConFlat flange. Maximum sublimation is achieved at 300 watts of source power, while the Standby power requirement is 100 watts.

### Technical Specifications

|                 |                              |
|-----------------|------------------------------|
| Usable titanium | 15.2 grams                   |
| Operating range | $10^{-4}$ to $10^{-12}$ mbar |

# ION PUMPS

## ► Agilent TSP Cryopanel



Dimensions: millimeters (inches)

### TSP Cryopanel

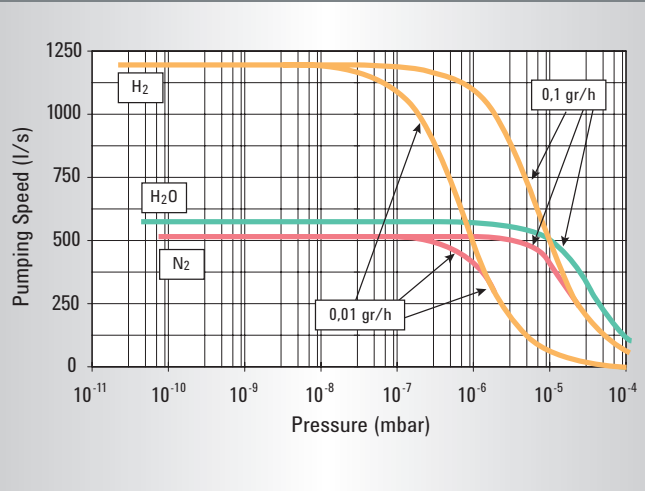
Designed for use with the TSP cartridge source\*, this sublimation cryopanel is mounted to an 8" OD ConFlat flange. It can operate with water cooling, liquid nitrogen, or uncooled if used at UHV. This cryopanel can be mounted to double-ended or side-ported ion pumps and can also be used independently in any 8" (NW 150) CFF port with 11 inch depth/clearance.

The Cryopanel does not include the cartridge.

### Technical Specifications

|   | N <sub>2</sub> | H <sub>2</sub> | H <sub>2</sub> O |
|---|----------------|----------------|------------------|
| <b>Pumping speed at 20 °C</b>                 |                |                |                  |
| <b>water-cooled (l/s)</b>                     | 515            | 1200           | 575              |
| <b>Inner pumping surface (cm<sup>2</sup>)</b> | 826            |                |                  |
| <b>Main flange</b>                            | 8" CF (NW150)  |                |                  |
| <b>Reservoir volume (liters)</b>              | 1.8            |                |                  |
| <b>Cooling connection</b>                     | 3/8" G         |                |                  |
| <b>Titanium source flange</b>                 | 2 3/4" CF      |                |                  |

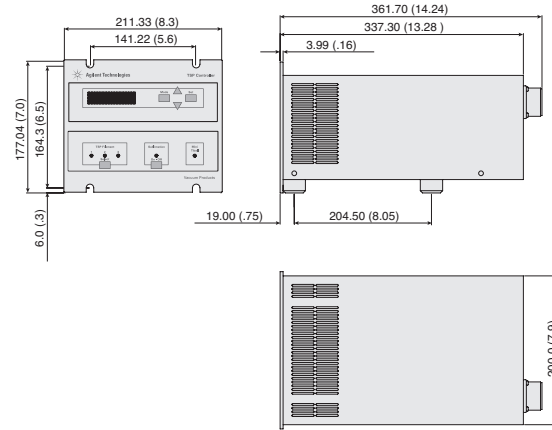
### Pumping Speed vs Pressure at different evaporation rates



Ion Pumps

# AGILENT TITANIUM SUBLIMATION PUMPS AND CONTROLLERS

## ▶ Agilent TSP Controller



Dimensions: millimeters (inches)

- Pump cable lengths up to 50 m
- Compact design ½ standard rack
- Selectable for automatic or manual operation
- Remote control (standard) via RS232/485

- To operate Agilent TSP filament cartridge or Agilent Mini Ti-Ball
- Safety Marks: CE, cCSAus

### Technical Specifications

|  |   |
|--|---|
| <b>Input</b>   | 100, 120, 220, 240 Vac ±10% 1-phase   |
| <b>Voltage</b><br>(selectable at the rear of the case) | <ul style="list-style-type: none"> <li>• 90 to 110 Vac - 1 phase (use setting 100 Vac)</li> <li>• 110 to 130 Vac - 1 phase (use setting 120 Vac)</li> <li>• 190 to 230 Vac - 1 phase (use setting 220 Vac)</li> <li>• 230 to 265 Vac - 1 phase (use setting 240 Vac)</li> </ul> |
| <b>Input frequency</b>                                 | 47 to 63 Hz   |
| <b>Power consumption</b>                               | 1400 VA (maximum, see note)   |
| <b>Output current</b>                                  | 30 to 50 A  |
| <b>Temperature</b>                                     | 0 to + 45 °C  |
| <b>Humidity</b>  | 90 % maximum non condensing humidity  |
| <b>Storage temperature</b>                             | -20 °C to +70 °C  |
| <b>In compliance with norms</b>                        | EN 61010-1<br>EN 61326-1 - Class A (industrial application)   |

|                              |   |
|------------------------------|---|
| <b>Protection category</b>   | IP 20   |
| <b>Internal use only</b>     |   |
| <b>Installation category</b> | II  |
| <b>Pollution degree</b>      | 2   |
| <b>Power cable</b>           | 3 meters long<br>• 3 wires Ø AWG14, NEMA plug (only for model 929-0032)<br>• 3 wires Ø 0.75 mm <sup>2</sup> European plug (only for model 929-0033) |
| <b>Weight</b>                | 12 kg (26.5 lbs)  |

**NOTE** • When the controller is powered by means of a transformer, the transformer power must be at least 3000 VA to avoid a distortion of the power waveform.

### Ordering Information

| Titanium Sublimation Pumps                    | Part Number |
|---|-------------|
| TSP Filament Cartridge on a 2 ¾" CFF          | 9160050     |
| Replacement filaments, package of 12 each     | 9160051     |
| Mini Ti-Ball Source with Holder on a 2 ¾" CFF | 9160009     |
| Replacement Mini Ti-Ball Source               | 9160008     |
| Titanium Sublimation Cryopanel                | Part Number |
| Sublimation Cryopanel on an 8" CFF            | 9190180     |
| Controllers                                   | Part Number |
| Sublimation Controller set for 220 Vac        | 9290033     |
| Sublimation Controller set for 110 Vac        | 9290032     |

| Accessories                 | Part Number |
|-----------------------------|-------------|
| Cable for TSP pump (3.5 mt) | 9240730     |
| Cable for TSP pump (7 mt)   | 9240730M002 |
| Cable for TSP pump (10 mt)  | 9240730M001 |
| Cable for TSP pump (30 mt)  | 9240730M017 |
| Cable for TSP pump (40 mt)  | 9240730M015 |
| Cable for TSP pump (50 mt)  | 9240730M013 |
| Cable for Mini Ti-Ball pump | 9240752     |
| Rack adapters               | 9290064     |



## Historical Notes

Ion pumping is used to remove gases from systems in order to create ultra-high vacuum environments. The earliest evidence of ion pumping was reported by J. Plucker (1858 - Germany) who found that it took ever-increasing voltages to maintain a current in a gas discharge tube.

This, he rightly concluded, is due to a reduction of pressure in the tube by some mechanism involving the cathode.

Later, as an offshoot of his work on electrical discharge in gases, F. Penning (1937 - Holland) developed a cold cathode ionization gauge for measuring pressures in the range of  $10^{-3}$  to  $10^{-5}$  Torr. Due to the sputtering effect of the high voltage, ions were both buried in and "gettered" by the cathode material. (Gettering is the chemical combination of active gases with a suitably reactive substance).

The result of this pumping action was a noticeable pressure reduction. The Penning cell has been used as a commercially available vacuum gauge ever since, but it was not until the late 1950's that its pumping characteristics were exploited, resulting in the invention of the ion pump. This was done in order to improve the life and performance of microwave tubes by continuous pumping with "appendage" ion pumps.

The invention of the sputter ion pump ushered in the era of ultrahigh vacuum, just in time to make a large contribution to the space age.

The availability of vacuum systems that could routinely achieve pressures in the low  $10^{-11}$  Torr range enhanced R&D efforts. Space hardware and space-compatible materials were tested by simulating many of the conditions they would encounter. Today, ion pumps are used in both research and industrial applications wherever a pristine, oil-free, vibration-free, cost-effective environment is required.

## Operation

Vacuum pumps in general operate on the basis of maintaining a lower gas density within themselves than exists in the environment they are pumping. This results in a net gas migration into the pump due to the random motion of the molecules under molecular flow conditions. Once in the pumps, few escape and they are either displaced or captured, depending on the type of pump.

Rather than being a displacement pump that actually moves molecules of gas through it to the atmosphere, the ion pump instead captures and stores them. As a result, at some point in time the pump must be reconditioned or replaced. This is generally required only after many years of use.

The generic name Sputter Ion Pump (or Ion Getter Pump) comes from the fact that some of the gas molecules undergo ionization and cause sputtering of the gettering agent. This material chemically reacts with the active gases to form stable compounds that are deposited on the internal walls of the pump. The getter, usually titanium, is provided by a plate

or electrode of that material, which is in turn sputtered and eroded by gas ions formed under the influence of the high voltage. These electrical potentials are usually in the range of 3,000 to 7,000 Vdc.

Most ionization devices operate in the same way. Gas molecules are bombarded by high energy electrons when a collision occurs. A molecule may lose one or more of its own electrons and thereby is left as a positively charged ion. Under the influence of a strong electric field, the ion is accelerated into the titanium cathode. The force of this collision is sufficient to cause atoms to be ejected from the cathode and "sputtered" onto the adjacent walls of the pump. Freshly sputtered titanium is extremely reactive and will chemically react with active gases. The resulting compounds accumulate on surfaces of the pump elements and pump walls.

Active gases are those such as oxygen, nitrogen, CO, CO<sub>2</sub>, and water, as opposed to the noble gases like helium, neon, argon, krypton, and xenon, which are nonreactive. The latter are pumped by "ion burial" (ion burial is the "plastering over" of inert gas atoms by the sputtered getter atoms).

The simplest form of ion pump is the Penning cell, which was originally conceived as a cold cathode vacuum gauge. It consists of a central anode wire which is at positive high voltage. In an ion pump the anode can either be a short section of metal tubing or a square, box-like structure, open at each end like a unit of an egg crate. Opposite each open end is a plate of titanium that is connected to the ground to form the cathode structure. An external permanent magnetic circuit generates a magnetic field, usually ranging from 800 to 2,000 G, parallel to the anode cell axis. A cell configured in this way is said to be a diode pump (Figure 1). It is then packaged in a suitable enclosure and the assembly becomes a pump.

To make a higher speed pump, it is now simply a matter of making a package containing more cells with a larger cathode (Figure 2).

The function of the anode cell structure is to contain a "cloud" of high energy electrons which are constrained by the magnetic field.

This field causes the electrons to move in oscillating spiral paths (Figure 3) that increase their chances of striking gas molecules and thereby create positive ions. These ions are accelerated away from the positive anode voltage and collide into the titanium cathode plates (Figure 3). This results in the removal of titanium atoms by "sputtering".

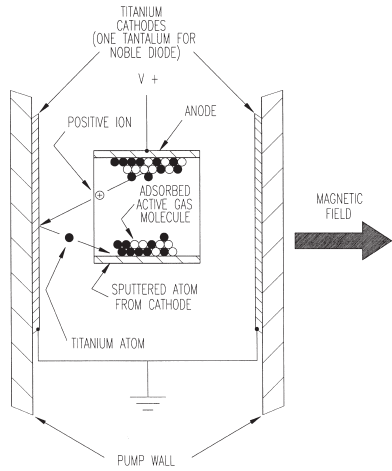
The sputtered titanium is deposited on the internal surfaces of the pump where it reacts with absorbed active gases to form stable compounds.

In summary, the pumping efficiency depends on the electron "cloud" density (which determines the number of ions produced) and on the sputtering yield (which determines the quantity of active getter material produced).

The electron cloud density mainly depends on the Penning

# AGILENT ION PUMP TECHNICAL NOTES

Figure 1



Ion pump cutaway



Figure 2

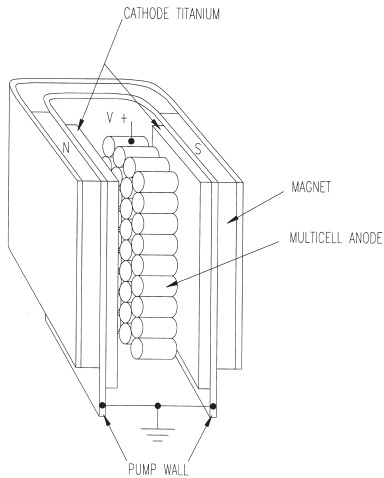


Figure 4

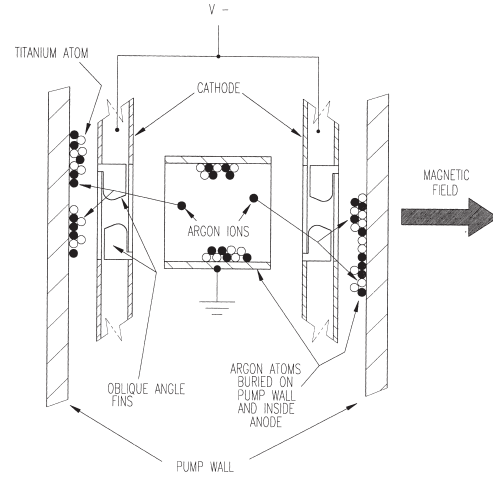


Figure 3

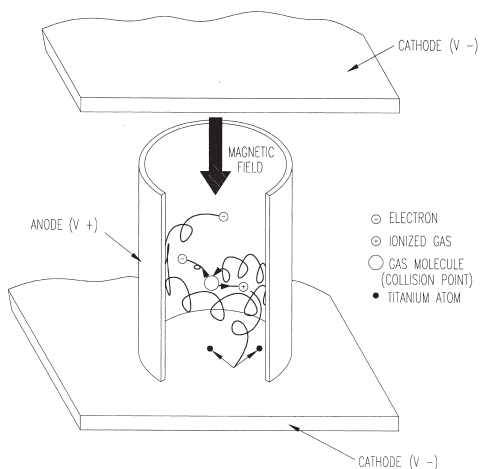
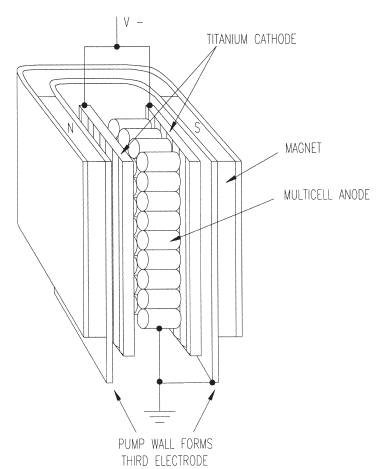


Figure 5



# ION PUMPS

cell geometry and on the electric and magnetic field strengths. By adjusting these parameters, the pump performance can be modified according to the application. In particular, using an “intelligent” high voltage power supply, the right voltage can be automatically selected as the pressure changes.

The sputtering efficiency depends on the cathode geometry and material and on the gas species. Thus the cathode configuration can also be optimized for the gas used in the application.

Agilent offers three different cathode configurations that will satisfy a wide variety of applications involving different gases and operative pressures.

It should be noted that a few types of gases do not need to be ionized in order to be pumped. Hydrogen, for instance, forms a solid solution directly with the titanium cathode plates as well as the sputtered film.

It is the function of the ions to maintain a fresh supply of “gettering” material. In this regard, the ion pump is self-regulating; it only sputters as much getter material as is needed at that particular pressure.

In this way, at low pressures cathode plates are not wasted and electric power is conserved.

Some of the noble gas atoms are pumped as a result of being ionized.

In this case, they are implanted (at least temporarily) in the cathodes by the force of the accelerating voltage. Others are pumped by burial in the sputtered titanium film (Figure 4). Generally, pumping noble gases does not pose a problem because they are present in such small quantities. When it is necessary to deal with considerable amounts of noble gases, a pump of the triode configuration should be used (Figure 5). In the triode pump, the cathode is at negative potential and built with slits that permit grazing incidence sputtering. Thus, they tend not to be implanted to any appreciable extent and the un-sputtering of previously buried noble gases is largely eliminated. Instead, the gases either react with or are buried by the sputtered film on the walls of the pump body and on the anode.

## Selecting Vaclon Plus Pumps

Ion pumps are commonly used to create Ultra High Vacuum (UHV), due to their cleanliness, ability to pump different gases, and maintenance- and vibration-free operation. Long operating life and ability to read pressure are other important features of ion pumps.

The Vaclon Plus family has been designed to enhance all of these characteristics, and thus offers the most advanced and valuable solution to any ion pumping requirement.

### Cleanliness

To reach very low pressures (i.e.  $10^{-11}$  mbar) in any system, both the chamber and pump outgassing must be minimized.

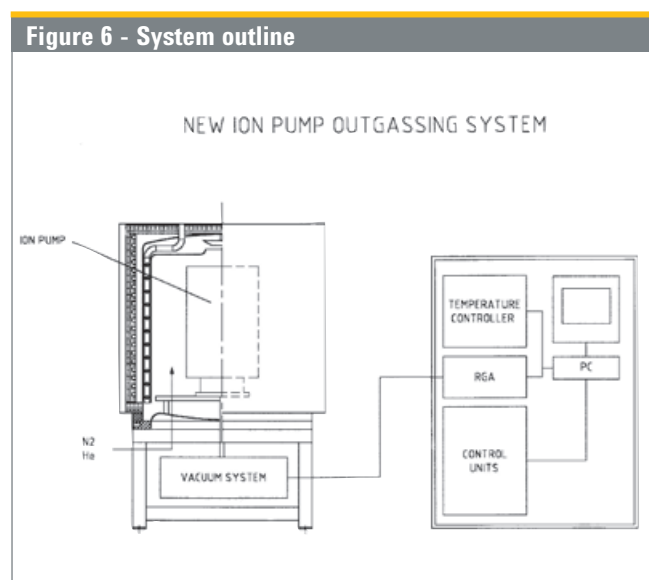
If not cleaned properly, the ion pump itself can be a source of gas at UHV.

In order to ensure cleanliness, Vaclon Plus Pumps are factory processed at high temperature in ultraclean vacuum for a thorough outgassing of the body and all internal components. The cleanliness of the ion pump element at high temperature ( $450\text{ }^{\circ}\text{C}$ ) in ultraclean is even more critical, due to the continuous cathode bombardment. Any gas trapped on the surface or in the bulk of the cathode will eventually be released.

### Ion Pump Outgassing System

The ion pump outgassing system is a thermal process of the pump, completely computer controlled and able to provide an automatic final test of the achieved pump specifications.

The bake-out of the pump is done in a nitrogen-controlled atmosphere to protect the external pump body from oxidation. See Figure 6 for System outline.



The system is based on the principle of thermal outgassing the ion pump internal surfaces through the control of their intrinsic outgassing. Therefore pressure, not time, is the driving factor of the overall process.

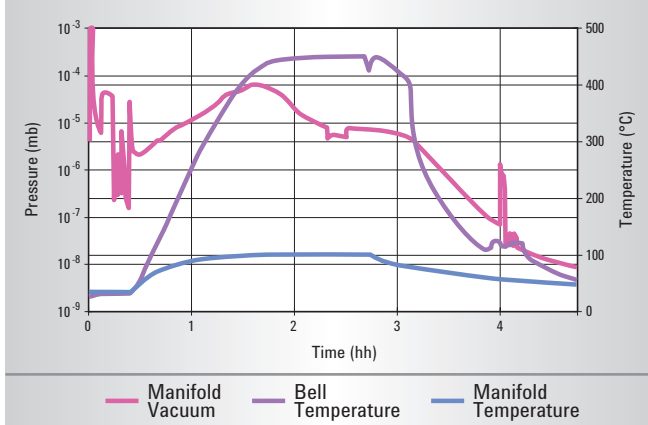
The bake-out time depends on the internal cleaning of the pump components and all the pumps will have, in this way, the same final outgassing rate and base pressure.

Figure 7 shows the working principle. The green curve represents the temperature and the yellow one the pressure read by the gauge located on the vacuum control system placed on the bottom of the outgassing station (see Fig. 6). The temperature is maintained at the set point level until the pressure does not change any more, which means the outgassing of the pump for the defined bake-out temperature is completed.

At the end of the thermal process, once room temperature is achieved, an RGA is performed.

# AGILENT ION PUMP TECHNICAL NOTES

Figure 7 - Thermal process working principle

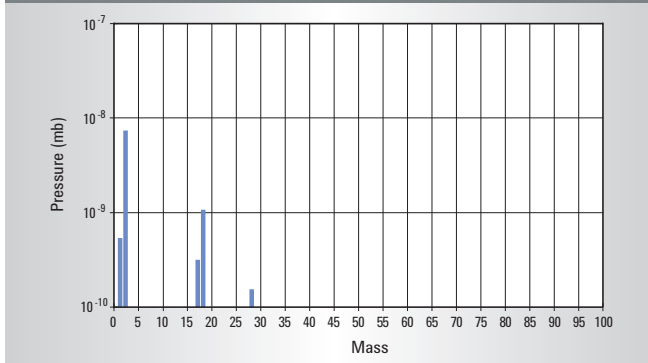


The gas analyser, placed on the vacuum system, provides the spectrum of the different gases degassed by the pump. If H<sub>2</sub> and the other peaks normally present in a well-baked vacuum system exceed the acceptance levels, the pump is baked again. Otherwise, it is pinched off and its base pressure monitored. The base pressure is evaluated through the ion current reading.

The current decrease is computer monitored, and the pump is ready to be shipped only after the base current is reached.

Figure 8 shows the result of the residual gas analysis performed at the end of the bake-out.

Figure 8 - Residual gas analysis



## Pumping of Different Gases

In general, all ion pumps can pump all gases to some degree. To obtain the best performance and base pressure, different types of ion pumps have been developed with optimized performance in different pressure ranges and with different gases.

Agilent's Vaclon *Plus* is a complete product family that offers the choice among three different elements: Diode, Noble Diode and StarCell.

Whatever the application, there is a Vaclon *Plus* pump designed for it.

## Long Operating Life

All Vaclon *Plus* pumps have rated lives in excess of many thousand of hours at a pressure of  $1 \times 10^{-6}$  mbar (50,000 hours for the Diode pump, and 80,000 hours for the StarCell).

With many ion pumps, maintenance may be required well before the rated life, due to metallization of insulators or pumping element distortion.

All Vaclon *Plus* elements are designed to minimize cathode distortion (even after repetitive bake-outs and starting at high pressure), and the insulators are protected from sputtered titanium by using a double re-entrant design and a cap shield.

## Pressure Reading

The ability to read pressures using an ion pump is due to the direct proportionality between pump current and operating pressure.

The reliability of pressure readings at very low pressure is limited by leakage current, and the leakage current from field emission is heavily dependent on the voltage applied to the pump.

The Dual controller, designed for use with any Vaclon *Plus* pump, provides the unique ability to adjust the voltage in accordance with the operating pressure. By doing this, the leakage current is minimized at low pressure, providing a reliable pressure reading down to the  $10^{-10}$  mbar range.

## Custom Design and Flexibility

All ion pumps can be mounted in any position, and do not need any isolation valve from the system in case of venting or power failure.

Vaclon *Plus* pumps are the most compact ion pumps in each speed range. The pumps can be configured with additional flanges and can accommodate other pumping systems (like TSP = Titanium Sublimation Pump), allowing the best use of available space.

## Agilent Feedthrough

The whole Ion Pump line is provided with an innovative feedthrough.

The improved feedthrough of the ion pump line is a major breakthrough. The greatest advantages of the ion pumps are listed here below:

### • Corrosion Free

The design of the feedthrough will reduce drastically the corrosion that may occur when the pump is used in humid environments.

Our tests and experience have demonstrated that the corrosion starts and increases with the presence of humidity between feedthrough and connector. The high voltage during the pump operation ionizes the entrapped water vapor; the ions react with the brazing alloy and corrode it. The design of the feedthrough aims to solve these issues:

- On one hand the design structure of the feedthrough presents a negligible quantity of air.

– On the other hand, the brazing is done on the vacuum side so that the brazing alloy surface exposed to air is minimal.

- **High Voltage Cable Interlock**

The feedthrough has been designed for the “HV cable safety interlock” implementation. This feature avoids any electrical shock since the voltage is automatically cut off as soon as the cable is disconnected from the pump.

Our Ion Pump control unit (Dual) and the HV cable are already able to support this safety feature when connected to an ion pump with the feedthrough.

- **Easy Connection**

The connection of the cable connector to the feedthrough requires simply inserting and pushing the connector. No use of retention screws is required.

- **Safety against Unintentional Extraction**

When the HV cable connector is inserted into the new patented feedthrough, it is firmly and mechanically secured to it. A latch on the cable prevents disconnection.

- **Compactness**

The feedthrough design allows a significant gain of space for the customer.

## The Vaclon *Plus* Family

### Diode Vaclon *Plus*

The diode version of the Vaclon *Plus* pump has the highest pumping speed among all ion pumps for oxygen ( $O_2$ ), nitrogen ( $N_2$ ), carbon dioxide ( $CO_2$ ), carbon monoxide ( $CO$ ), and any other getterable gas. It provides the highest pumping speed and capacity for hydrogen ( $H_2$ ) as well.

Its simple mechanical structure allows a reliable current/pressure reading down to very low pressures, as well as absolutely vibration-free operation. Its geometric and electrical configuration allows it to be used in the vicinity of electron detectors or similar devices.

Diode Vaclon *Plus* pumps are therefore widely and successfully used in general purpose UHV systems, for evacuating electron devices and in the most sensitive electron microscopes. However, diodes are not suggested for applications where noble gases such as argon (Ar), helium (He) and methane ( $CH_4$ ) are to be pumped.

### Noble Diode Vaclon *Plus*

The Noble Diode Vaclon *Plus* element is a version of the diode element, in which a tantalum cathode is substituted in place of a titanium cathode. This substitution allows a higher pumping speed and stability for pumping noble gases (mainly argon and helium).

The element is otherwise equivalent to the Diode Vaclon *Plus*. Noble Diode Vaclon *Plus* pumps are used in any application where pumping of noble gases is an important characteristic.

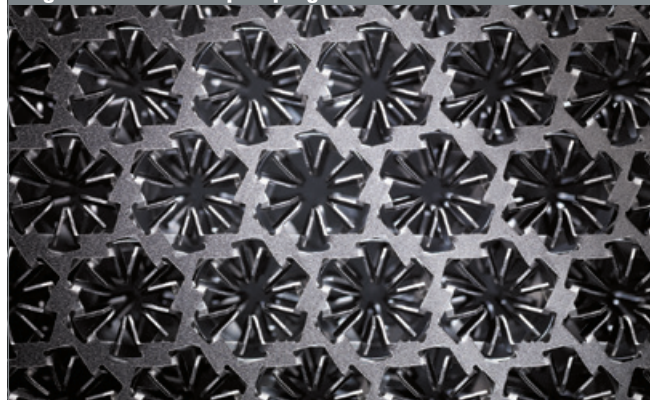
As with the diode configuration, the Noble Diode retains a consistent pumping speed for all gases at very low pressures. However, pumping speed for  $H_2$  and getterable gases is lower than for the corresponding Diode. The Noble Diode Vaclon *Plus* is typically used in UHV applications where a mixture of gas is to be pumped and where the pressure is quite constant (i.e., no sudden gas burst or systematic high pressure cycling). Its characteristics of consistent speed for almost any gas even at very low pressures make it ideal whenever the ion pump alone is used to obtain UHV pressures. This is often the situation in particle accelerators or synchrotron rings, as well as in surface analysis applications.

Other Vaclon *Plus* versions are suggested whenever the application requires cycling to higher pressures, pumping of large amounts of  $H_2$ , or when the ion pump is combined with other UHV pumps such as Titanium Sublimation Pumps or Non-Evaporable Getters.

### StarCell Vaclon *Plus*

The StarCell Vaclon *Plus* element is the latest variation of the Triode configuration. Its design makes this ion pump the only one that can handle a high amount of noble gases (better than Noble Diode) and hydrogen (comparable to the Diode). Furthermore, this pump provides the highest speed and capacity for methane, argon, and helium. Its high total capacity for all the different gases, together with its very good speed performance at relatively higher pressures, makes the StarCell Vaclon *Plus* ideal for applications requiring constant operation at  $10^{-8}$  mbar or above. This typically includes Electron Microscopes and Mass Spectrometers.

Figure 9 - StarCell pumping element



Its high pumping speed for argon, helium, and methane (the highest of any ion pump at any pressure) has made StarCell the standard for any application where the ion pump is used in combination with TSP or NEG pumps, where its pumping performance is enhanced. The lowest attainable pressure has been obtained with combinations of StarCell Vaclon *Plus* and TSP/NEG pumps, thanks to the optimized characteristics of these combinations. Most existing particle accelerators

## AGILENT ION PUMP TECHNICAL NOTES

and synchrotron sources, beam lines, transfer lines, and similar devices have used and are successfully using these combinations to obtain the maximum speed for all the gas species.

For more specific information regarding the pumping speeds for different element configurations relevant to different gases, refer to the various curves published in the *Vaclon Plus* Pumping Speed section. The aim of this section is to help you choose the best *Vaclon Plus* configuration. Whatever the application, there is a *Vaclon Plus* version suited for it.

Do not hesitate to contact your local Agilent representative if you need more assistance in making the right choice.

*For Vaclon Plus and NEG integrated pumps, please ask Agilent for a special quotation.*

### Vaclon Plus Pumping Speed

The most common parameter used to express the capability of a pump to remove molecules from a given volume is pumping speed. It is usually measured in liters per second and expresses the volume of gas (at a given pressure) removed per time unit.

In an ion pump, the net pumping effect results from the sum of different phenomena:

- The pumping action of the getter film produced by the sputtering of cathode material by ion bombardment.
- The pumping action due to the ion implantation and diffusion into the cathode.
- Gas burial on the anodes and pump walls.
- The gas re-emission from the cathode due to cathode heating and erosion.

When an ion pump is new or has been regenerated, for example by baking, the surface layer of the cathode is clean and the gas re-emission from it is negligible. In this condition, the ion pump is called “unsaturated” and the pumping effect is due both to the gettering effect as well as to ion implantation and diffusion. As the number of gas molecules implanted into the cathode increases, the re-emission of them due to the ion bombardment increases.

As a consequence, the net pumping speed decreases until an equilibrium condition between ion implantation and gas re-emission is reached. In this condition, the ion pump is “saturated” and the net pumping speed, due only to the gettering action of the material sputtered from the cathode, is about half the pumping speed of the unsaturated pump.

Since the saturation effect depends on the quantity of gas molecules implanted into the cathode, the time required to saturate an ion pump is inversely proportional to the pressure at which the pump is operated. Thus, the lower the pressure, the longer the time before the pump saturation occurs (Figure 10).

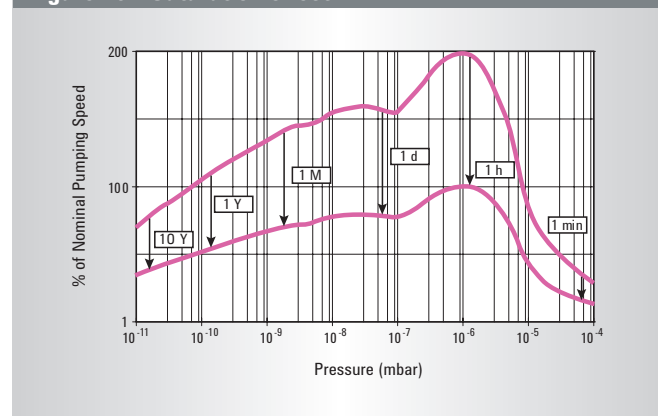
In an ion pumped UHV system with a proper bakeout procedure (and consequent pump regeneration), a pressure in the  $10^{-11}$  mbar range is possible. At this pressure, the ion pump will work at the higher (unsaturated) pumping speed values for a few years before it is saturated.

When pump saturation is reached, the pumping speed is constant and no longer depends on the quantity of pumped gas. The values of the pumping speed curve after saturation are the lowest obtainable at any given pressure.

Generally, the ion pump works in an intermediate condition between the unsaturated and saturated extremes. The “nominal” pumping speed is defined as the maximum point on the pumping speed curve for a saturated pump; the reference gas is usually nitrogen.

The nominal pumping speed thus defines only a part of the characteristics of an ion pump. A more comprehensive description of an ion pump performance is given by the complete pumping speed vs pressure curve. By using these plots and keeping in mind the application, the best pump can be chosen.

Figure 10 - Saturation effect



### Active Gases ( $N_2$ , $O_2$ , $CO$ , $CO_2$ ,...)

A characteristic of these gases is their ability to easily react with most metals forming stable compounds. In an ion pump, these active gas molecules react with the fresh titanium film produced by the sputtering of the cathode material. These active gas molecules do not diffuse deeply in the cathode.

The saturation effect, due to the re-emission of these molecules trapped on the cathode surface, is very strong.

Diode and Noble Diode elements show a higher pumping speed at low pressure while StarCell elements perform better at higher pressure, because the Penning discharge is better confined inside the element (Figures 11, 12).

# ION PUMPS

Figure 11 - Nitrogen pumping speed before saturation

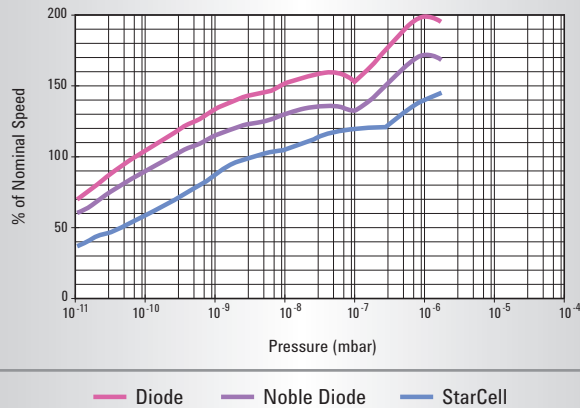


Figure 13 - Hydrogen pumping speed

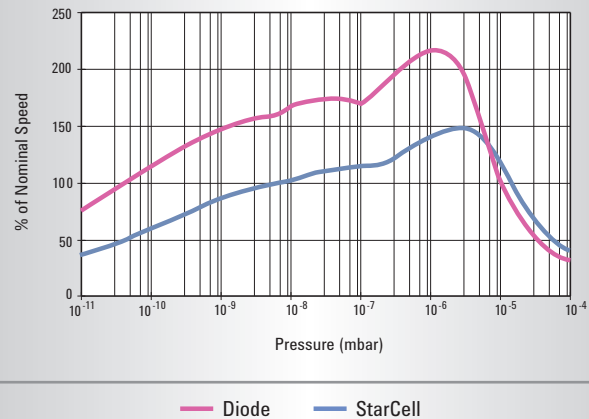
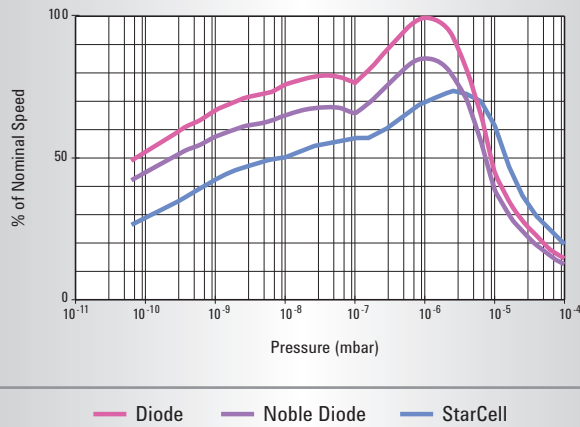


Figure 12 - Nitrogen pumping speed after saturation

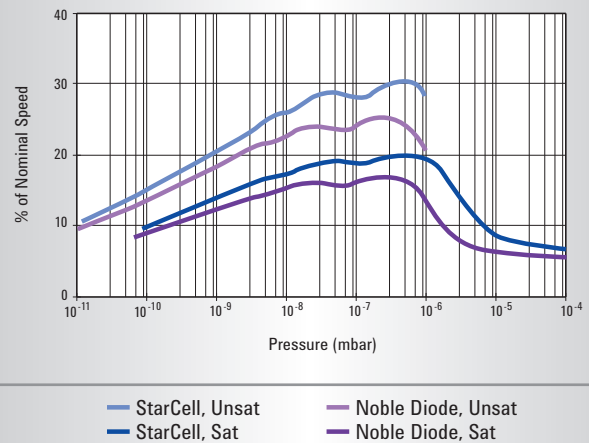


## Noble Gases (He, Ne, Ar,...)

The main characteristic of noble gases is that they do not react with any other element. Therefore, the film produced by the sputtering of cathode material does not provide getter pumping for helium and argon. Moreover, since these gases do not tend to diffuse into the cathode, the pumping effect due to the ion implantation is not permanent.

Nevertheless, all the ion pump elements have some capacity to remove these gases.

Figure 14 - Argon and Helium pumping speed



## Hydrogen

Hydrogen is an active gas but, due to its very small mass, the sputtering rate is very low. In spite of this fact, the pumping speed for H<sub>2</sub> is very high because it quickly diffuses into the cathode with negligible re-emission. When pumping H<sub>2</sub>, the ion pump always works in the unsaturated condition. As a result, the nominal speed for H<sub>2</sub> is about twice the corresponding value for nitrogen.

Furthermore, if some traces of heavier gases are present, the increased sputtering rate produces an even higher hydrogen pumping speed.

The Diode element shows a higher pumping speed than the Noble Diode since the H<sub>2</sub> solubility in the tantalum cathode is lower than in a titanium cathode. StarCell elements combine good performance at higher pressures with enhanced capacity for H<sub>2</sub>.

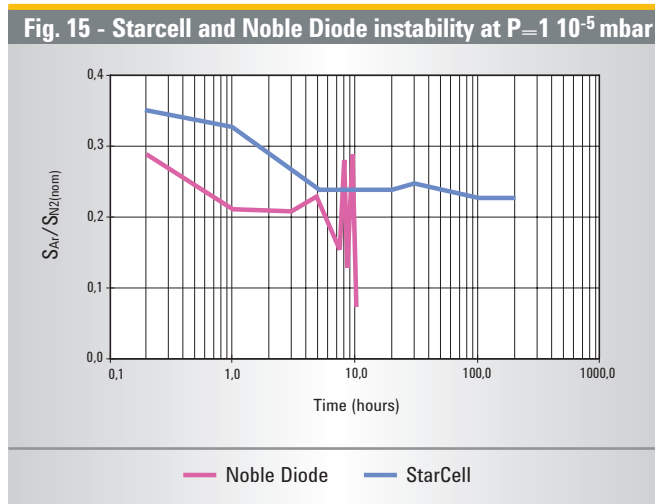
Noble gases are pumped by being buried by titanium. Noble gas ions can be neutralized and scattered from the cathode without losing their energy. These neutral atoms maintain enough energy to implant or stick on the anode and on the pump walls where they will be buried by sputtered titanium and thus permanently pumped.

Ion Pumps

# AGILENT ION PUMP TECHNICAL NOTES

In the Diode configuration, the neutralization and back scattering probability is very small, thus the pumping speed for noble gases is only a small percentage of the N<sub>2</sub> pumping speed. Moreover, when operating at a relatively high argon partial pressure (i.e., higher than 10<sup>-8</sup> mbar), sudden bursts of pressure due to the re-emission of temporarily implanted argon in the cathode is observed. After this occurs, a Diode pump is not able to pump more argon until its source is stopped. This phenomenon is known as “argon instability”.

Figure below shows that the StarCell pump is superior in comparison to diode pumps with differential cathodes. The test was performed at 10<sup>-5</sup> mbar. The differential cathode diode showed instability after pumping about 3 mbar l of argon while the Starcell remained stable after pumping about 70 mbar l of argon, at which point the test was stopped.



In the Noble Diode element, one titanium cathode is replaced with one tantalum cathode. The high nuclear mass of tantalum increases the back-scattering probability and consequently the pumping speed for noble gases.

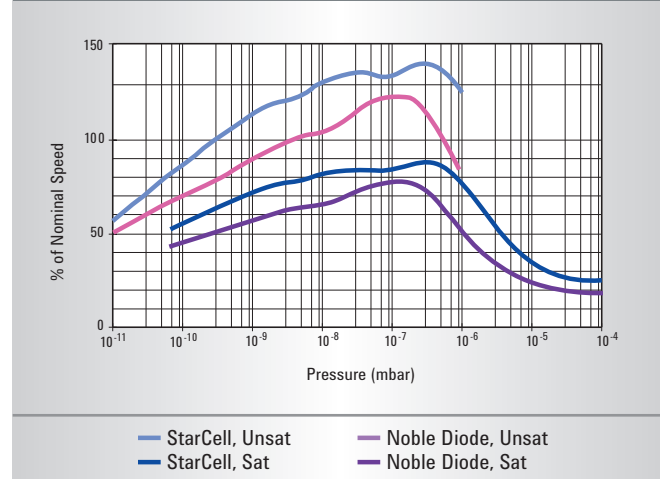
The best results in terms of pumping speed of noble gases are obtained using the open cathode structure typical of StarCell elements. In these configurations, the flat cathode structure has been replaced with a structure that allows glancing collisions with ions.

These are neutralized and then forward scattered toward the pump wall or the anode with a much higher probability than in the flat cathode case. The result is a pumping speed for noble gases of up to 60% of N<sub>2</sub>. Furthermore, due to the unique design that allows optimal use of all the available titanium, the operating life of a StarCell pump is about 50% longer than all the other pumps.

## Methane

Although methane is not a noble gas, it does not react with any getter material. It is always present to some degree in UHV systems as a reaction product of hydrogen and carbon present in the vacuum system walls. Methane is a particular problem in electron accelerators where it is the main cause of the beam decay.

**Figure 16 - Methane pumping speed**



Due to the Penning discharge in ion pumps, the methane molecule (as well as other hydrocarbon molecules) is cracked and transformed into smaller getterable compounds (C, CH<sub>3</sub>, ... H).

The result is that the pumping speed for methane and light hydrocarbons is always higher than the speed for N<sub>2</sub>.



## Basic Performance Factors

- Pumping speed, as in the case of any high vacuum pump, is one of the factors determining the ultimate (base) pressure of a system. However, ion pumps pump various gases at different rates – from very fast for hydrogen to quite slow for argon. Thus, it is necessary to check specifications to match the pump properly to the application. The pump history in terms of gas load after a bakeout also influences pumping speed. Agilent pumps are rated by their equilibrium or “saturated” speed levels. Unsaturated pumps temporarily deliver higher speeds, especially at UHV. A typical pumping speed vs pressure curve is shown on page 46.
- Maximum throughput of an ion pump is located in the  $10^{-4}$  to  $10^{-5}$  mbar pressure range. Since ion pumps are generally operated at much lower pressures, throughput is generally not a major consideration.
- Starting pressure is the pressure to which the ion pump must first be rough-pumped before the glow discharge will be confined to the anode cell structure and the pumping effect begins. To prevent pump overheating and possible damage when the pump is saturated at higher pressure, the controllers automatically reduce the output voltage to maintain power below a safety level.
- Pump life is determined by various factors, including cathode life; this is limited by cathode erosion, which is proportional to the average operating pressure. At  $10^{-6}$  mbar, cathode life ranges from 35,000 to 80,000 hours.
- Bakeability. In general, baking a UHV system and its ion pump to 200 to 250 °C is adequate for outgassing, attaining low pressures after atmospheric exposure. Some processes require higher bakeout temperatures. In general, ion pump bodies can be baked at 450 °C when the magnets are removed, or 350 °C when the magnets are on the pump. When bakeable cables are connected to the ion pumps, temperature should not exceed 220 °C.

# AGILENT TITANIUM SUBLIMATION PUMP TECHNICAL NOTES

## Titanium Sublimation Pumps

Thin films of reactive materials have been used for “gas cleanup” or “gettering” for over a century. The early electron tube makers were only able to mechanically pump to about  $1 \times 10^{-4}$  mbar, but through the use of “getters” flashed on the internal surfaces, pressures in the low  $10^{-7}$  mbar scale were attained. These getters were typically metals like barium, titanium, zirconium, or thorium. Gettering materials are still used in tubes today even though pressures of  $1 \times 10^{-8}$  mbar are readily attained by the pumps in the manufacturing process.

Gettering was not employed extensively in vacuum systems until the 1960’s, when it was found to be highly compatible with ion pumping. Titanium was the metal commonly used because of its availability and its ability to sublime readily over a moderate temperature range.

### Applications

Due to cleanliness, bakeability, low power consumption, vibration-free operation, long pumping life, and high pumping speed, Titanium Sublimation Pumping (TSP) is the ideal cost-effective companion to ion pumping in ultrahigh vacuum.

Applications for this pumping mode are found in many areas, such as:

- Auger electron spectrometry
- Electron spectroscopy for chemical analysis
- Electron tube manufacturing
- Mass spectrometers
- Materials science conductor R&D
- Nuclear physics
- Outer space simulation
- Particle accelerators
- Secondary ion mass spectroscopy
- Solid state semiconductors

### Basic Performance Factors

• **Pumping Speed.** The pumping speed of a Ti film is proportional to the film area and to the sticking coefficient, that is the probability that an impinging gas molecule reacts with Ti forming a stable compound. The pumping speeds per unit area of a fresh evaporated Titanium film are reported in Table 1. Using these coefficients the intrinsic pumping speed (Si) of a Ti film can be evaluated using the following equation:

$$Si[l/s] = \text{Coefficient} \times \text{Surface.}$$

**Table 1**

**Typical pumping speeds per square inch (per square centimeter) of titanium sublimation surface for various gases (liters per second)**

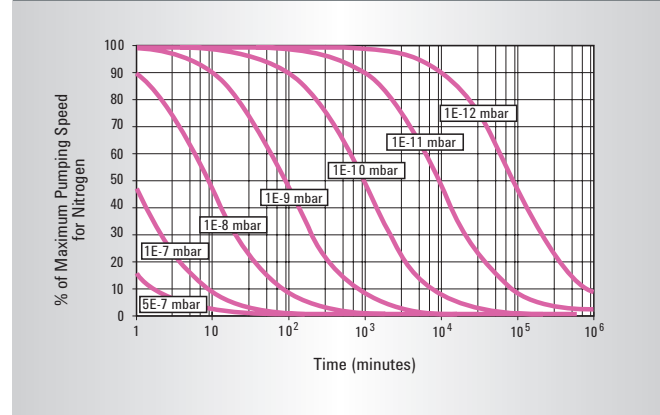
|                     | Gas     | H <sub>2</sub> | N <sub>2</sub> | O <sub>2</sub> | CO        | CO <sub>2</sub> | H <sub>2</sub> O | CH <sub>4</sub> | Ar | He |
|---------------------|---------|----------------|----------------|----------------|-----------|-----------------|------------------|-----------------|----|----|
| Surface Temperature | 20 °C   | 20 (3.1)       | 30 (4.7)       | 60 (9.3)       | 60 (9.3)  | 50 (7.8)        | 20 (3.1)         | 0               | 0  | 0  |
|                     | -195 °C | 65 (10.1)      | 65 (10.1)      | 70 (10.9)      | 70 (10.9) | 60 (9.3)        | 90 (13.9)        | 0               | 0  | 0  |

As the gas molecules react with the surface Ti atoms, the number of active sites decreases and, as a consequence, the pumping speed decreases. A plot of the specific pumping speed vs time at different pressures is reported in Figure 17. Using this plot it is possible to estimate how frequently the Ti film has to be renewed.

It must be noted that the actual pumping speed S of a TSP depends on the conductance C between the active surface and the vacuum vessel according to the following equation:

$$1/S = 1/C + 1/S_i$$

**Figure 17 - Pumping speed vs time at different pressures**



• **Throughput.** When the impingement rate of the gas molecules on the active film becomes higher than the Ti sublimation rate (excess of gas molecules respect the available Ti atoms), the pumping speed does not depend any more on the sticking coefficient. It is simply controlled by the quantity of the available Ti atoms according to stoichiometric reaction.

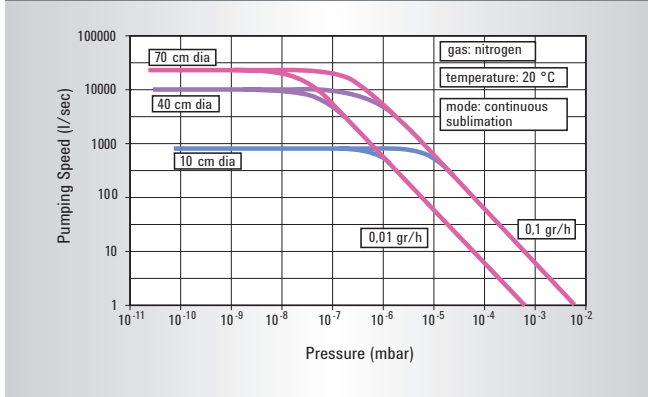
If n Ti atoms need to pump a gas molecule (example:  $2Ti + N_2 \rightleftharpoons 2TiN$ , n = 2), the gas throughput Q is given by:

$$Q [mbar \cdot l/s] = \frac{0.13}{n} R \left[ \frac{gr}{h} \right]$$

Plus where R is the Ti sublimation rate. In this condition the pumping speed is not constant but it depends on the pressure and is directly proportional to the sublimation rate (Figure 18).

# ION PUMPS

Figure 18 - Pumping speed vs pressure



After this time the filament cartridge should be replaced.

## Design Features

- All sources are mounted on 2 ¾" Agilent ConFlat Flanges and fit through 1 ½" ports.
- The three-filament source contains 3.3 grams of useful titanium.
- The Agilent Mini Ti-Ball source contains 15.2 grams of useful titanium.

- Other factors. The overall performance of a titanium sublimation pump is a function of several variables, including gas species, pressure, gas temperature, getter film temperature, getter film area, the geometry of the area, sublimation rate, sticking coefficient, and the conductance from the film to the area being evacuated. For further information, write for "Predicting and Evaluating Titanium Sublimation Pump Performance" by D.J. Harra, 1974 (Vacuum Report VR-88).

## Operation

Titanium Sublimation Pumping is accomplished by coating the inner surfaces of a vacuum system with sublimed titanium films. Since it involves a chemical reaction, this kind of pumping is useful where mainly active gases are present.

The pumping speed of a unit area varies with various reactive gas species as shown in the following table. It can also be seen that cooling the substrate to liquid nitrogen temperature markedly increases the speed for hydrogen and water.

The gases thus "gettered" form stable compounds with titanium and are stored in the system as such until they are removed by cleaning. Since there is generally un-reacted pyrophoric titanium buried in the deposits, caution should be used in cleaning. If the desired gas throughput is known ( $Q = \text{pumping speed} \times \text{pressure}$ ) the maximum theoretical operating time is given by:

$$\text{Operating time [h]} = \frac{0.13}{n} \frac{T \text{ [gr]}}{Q \text{ [mbar l/s]}}$$

where T is the usable Titanium

For example, using our cryopanel at  $1 \times 10^{-8}$  mbar with a three filaments cartridge Ti source, the theoretical operating time is given by:

$$\frac{0.13}{2} \frac{3.6 \text{ [gr]}}{500 \text{ [l/s]} \times 10^{-8} \text{ [mbar]}} = 46,800 \text{ hrs} = \text{about 5 years}$$

# AGILENT ION PUMP SERVICE AND SUPPORT PLAN

Agilent Vacuum Technologies Products offers one of the most comprehensive service and support plans in the industry. As a worldwide, first class company we strive to offer added value to our Customers wherever they may be located. Excellence in Service and Support is a key factor in added value.

Support can be accomplished with qualified Engineers and an appropriate logistic infrastructure.

Technical skills and infrastructure are two areas where we are continuously making medium and long-term investments.

Our daily customer support philosophy is focused on two important factors: quick response and no hassle.

Agilent Vacuum Products is committed to providing our Customers with the most comprehensive service plans possible.

The following pages detail the standard sections of our Ion Pump Service and Support Plan. For more information, or if you have a need for customized solutions, please contact your Agilent representative.

Often, excellent products are not enough: Agilent’s constant presence with Customer Service as a responsive partner is what really makes a difference.

## Worldwide Parts Sourcing Plan

### • Exchange and Repair Programs

Agilent’s Ion Pumps and Controllers offer unmatched reliability, performance and cleanliness.

To maximize uptime, and for those occasions where time is essential, Agilent offers Ion pump controller exchange units for advance shipment.

Exchange units are fully remanufactured to the same strict standards as new products.

If requested, your Exchange unit can be shipped for overnight delivery. This efficiency is due to our logistic infrastructure and is the result of excellent teamwork among our Service and Customer Service Teams!

The Repair Program is available for those situations where the control of assets is important and when the requested turn around time is less critical.

The Exchange and Repair Programs allow global OEMs and End-Users consistent delivery time, pricing, part numbers, and order processing procedures.

### • End User Extended Warranty

The End User Extended Warranty is a Service Agreement that provides coverage extension beyond the standard 12 months warranty of a product. It extends for additional 12 months the coverage from failures due to defects in material and workmanship.

By extending the warranty of purchased products, post-sales satisfaction is guaranteed. This is the result of the relevant cost decrease while cost predictability is increased.

The End User Extended Warranty has been designed to cover the needs of the High Energy Physics Ultra High Vacuum applications.

### • Ordering Information for End User Extended Warranty High Energy Physics UHV Applications

| Pumps  | Part Number |
|--|-------------|
| Extd. Warr. HEP 12M Ion Pump 20 l/s class    | EW919VIP20  |
| Extd. Warr. HEP 12M Ion Pump 40 l/s class    | EW919VIP40  |
| Extd. Warr. HEP 12M Ion Pump 55 l/s class    | EW919VIP55  |
| Extd. Warr. HEP 12M Ion Pump 75 l/s class    | EW919VIP75  |
| Extd. Warr. HEP 12M Ion Pump 150 l/s class   | EW919VIP150 |
| Extd. Warr. HEP 12M Ion Pump 300 l/s class   | EW919VIP300 |
| Extd. Warr. HEP 12M Ion Pump 500 l/s class   | EW919VIP500 |
| Extd. Warr. HEP 12M Ion Pump (other config.) | EW919VIP    |

| Controllers                             | Part Number  |
|---|--------------|
| Extd. Warr. 12M Minivac Controller      | EW929MINIVAC |
| Extd. Warr. HEP 12M 4UHV CTRL 1-2 Pumps | EW919UHV2P   |
| Extd. Warr. HEP 12M 4UHV CTRL 3-4 Pumps | EW919UHV4P   |
| Extd. Warr. 12M TSP Controller          | EW929TSP     |

## Technical Assistance

As a Agilent Customer, you can rely on an attentive and professional support staff, dedicated to providing you with the easiest and most personalized service possible.

### • Customer Support

Our toll-free lines, with mother tongue Technical Support Engineers at worldwide locations, allow us to provide you with quick, corrective responses to your needs.

Whenever a new problem is identified and solved by our support personnel, it is entered into our technical support system and becomes available to all Agilent technical support centers. This system allows all Agilent locations to provide excellent first and second level technical support to customers worldwide. In addition, the technical support centers are in daily contact with our R&D departments for third level support.

Call us today for more information.

### Americas

North America: Toll-Free +1 800-882-7426  
Fax +1 781-860-5437

Central and South America: Tel. +1 781-861-7200  
Fax +1 781-860-5437

### Asia

Japan: Toll-Free +81 120-477-111  
Fax +81 120-880-598

Korea: Toll-Free 080-222-2452  
Fax +82 (0) 2-3452-3947

China: Beijing Office Toll-Free 800-820-3278  
Fax +86 (0)10-6439-2765

Shanghai Office Toll-Free 800-820-3278  
Fax +86 (0)21-6628-5169

Guangzhou Office Toll-Free 800-820-3278  
Fax +86 (0)20-8669-5861

Shenzhen Office Toll-Free 800-820-3278  
Fax +86 (0)755-8276-3181

Taiwan: Toll-Free 0800-018-768

Singapore: Toll-Free 1800-276-2622

Malaysia: Toll-Free 1800-880-805

### India

Toll-Free 1800-1801-517

### Europe and Israel

Austria, Belgium, Finland, France, Germany, Holland, Ireland, Israel (\*), Italy, Portugal, Spain, Switzerland, UK:

Toll-Free 00-800-234-234-00

Toll-Free-Fax 00-800-345-345-00

(\* ) From Israel dial 012 instead of initial 00

### Other Countries

Tel. +39 011-9979-369

Fax +39 011-9979-330

### • Application Support - Application Training

Agilent has a leadership position in vacuum technology with continuous search for innovative solutions through research and development.

To meet the most demanding needs, our Application Engineer Team can bring our knowledge into your factory.

Application Support is a project-based activity where our experts assist you towards the solution of your application issues that might arise both at pre and post-sale level.

By designing solutions that meet Customers' needs, Agilent aims to create a positive and synergetic relationship with customers.

Our experts can keep you well-informed and up-to-date on industrial and scientific applications with the goal of optimizing the use of our products on your system as well as the development of new vacuum techniques.